



SAPT 090, 130 DIN is an addition to the SAP series that supports larger flows and pressure up to 4350 psi.

SAPT 090, 130 DIN are ideal for applications that require both a high flow and a high working pressure in combination with demands on small installation measurements. The pumps are either mounted directly on the power take-off or on a frame bracket via an intermediate shaft.

Other advantages:

- Light weight metal casing design
- Smooth operation over the entire speed range
- Long life due to high demands on material selection, such as bearings, seals, etc
- Corrosion free light metal-housing
- Less heat generation due to better ability to dissipate heat through housing

Versions, main data

Example

SA	PT	-	090	L	-	N	-	DL4	-	L35	-	S0	S	-	0	00
Line	1		2	3		4		5		6		7	8		9	10

Line	
SA	Sunfab Aluminium

1. Type	
PT	Tipper pump

2. Displacement	
090	130

3. Direction of rotation	
R	Right
L	Left

4. Sealing	
N	Nitrile
V	HNBR

5. Mounting flange	
DL4	DIN 4-h (ISO 7653D)

6. Shaft	
L35	DIN 5462 / ISO 14

7. Connection cover	
S0	40° Sunfab standard

8. Connections	
S	Sunfab standard

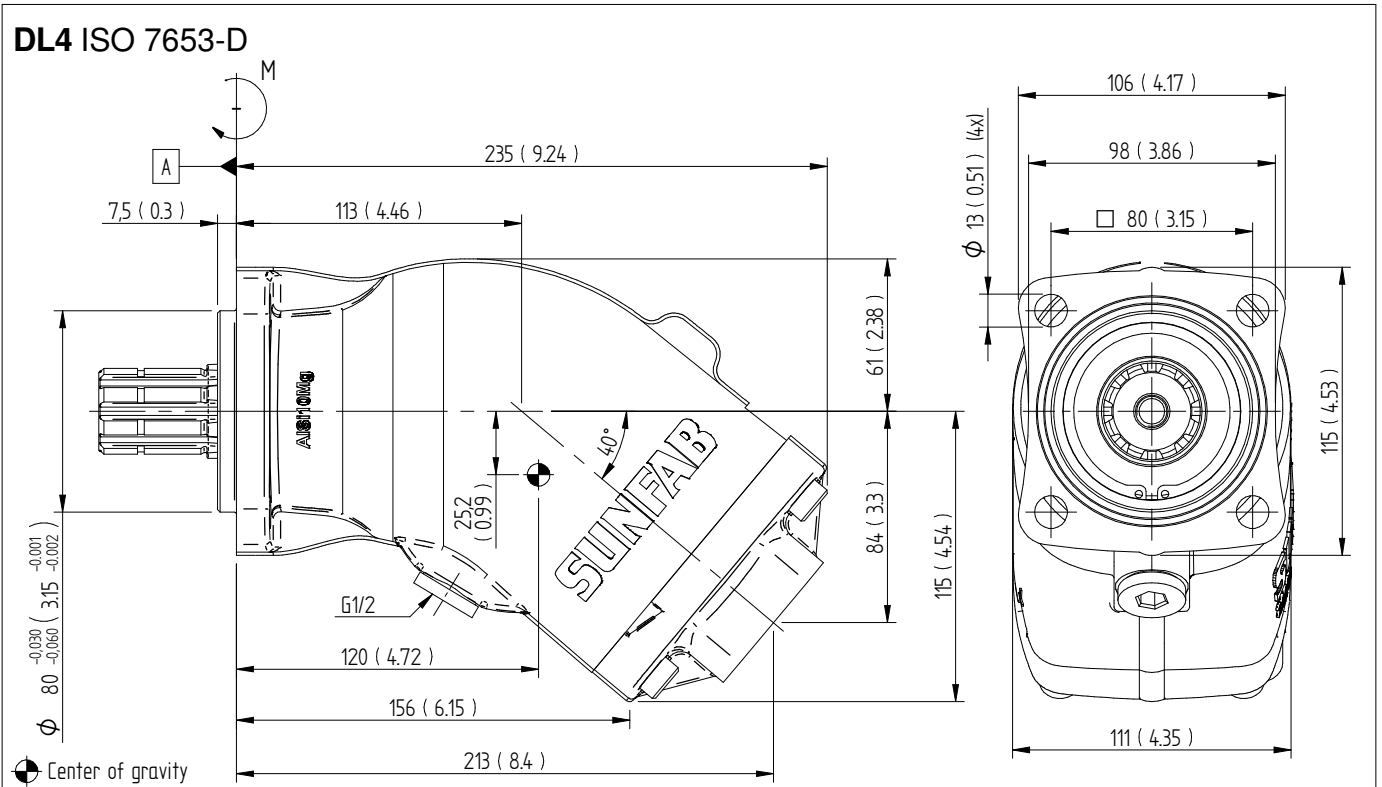
9. Additional	
0	-

10. Accessories	
00	No accessories available

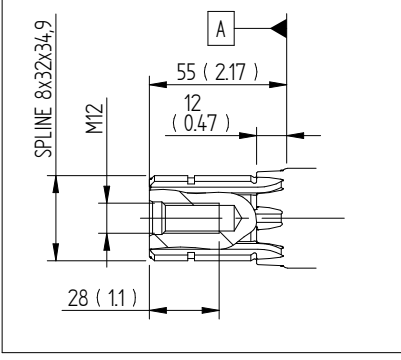
SAPT 090, 130 DIN		090	130
Nominal oil flow at pump speed		GPM	
	rpm	11.9	17.2
	500	23.8	34.3
		35.7	51.5
Displacement	cu in/rev	5.49	7.93
Max pump speed continuous	rpm	1500	1500
		2000	2000
limited			
Max working pressure	psi	4350	4350
Weight	lb	21.6	30.6
Tare-weight torque (M)	lb-ft	8.5	13.6
Direction of rotation	Left (L) or Right (R)		

Dimensions SAP 040-064 DIN, SAPT 090 DIN

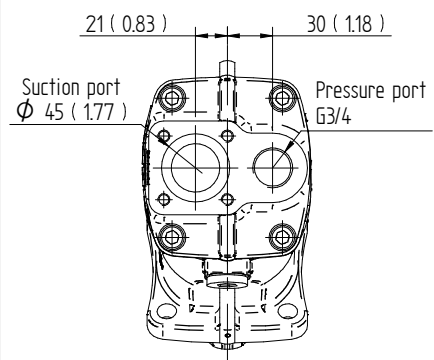
Millimeter (inch)



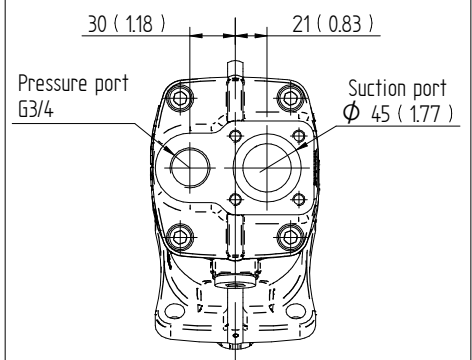
L35 DIN 5462 / ISO 14



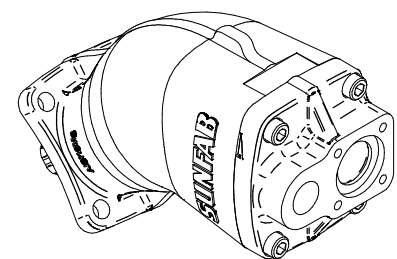
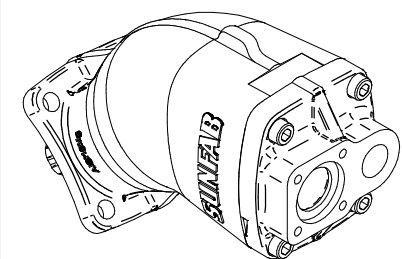
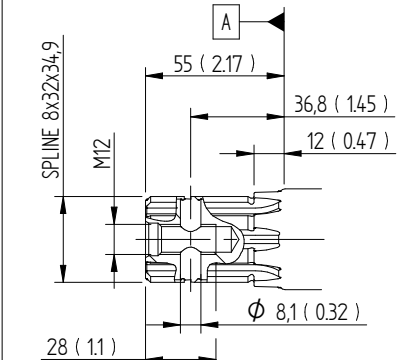
S0S Left rotation (L)



S0S Right rotation (R)

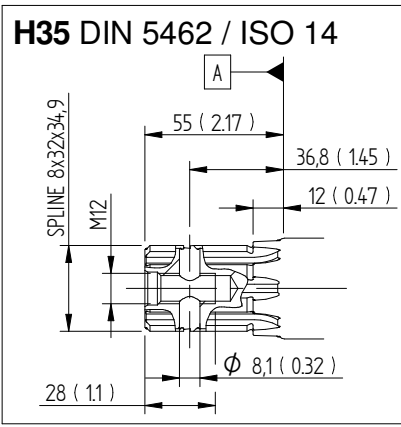
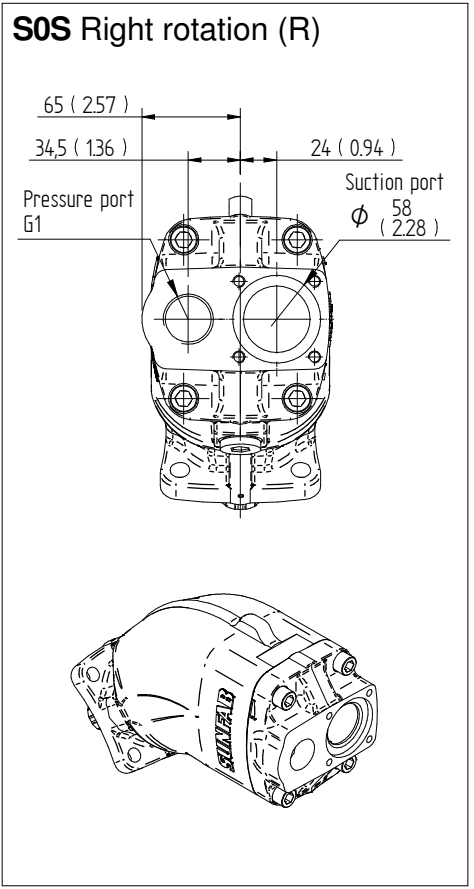
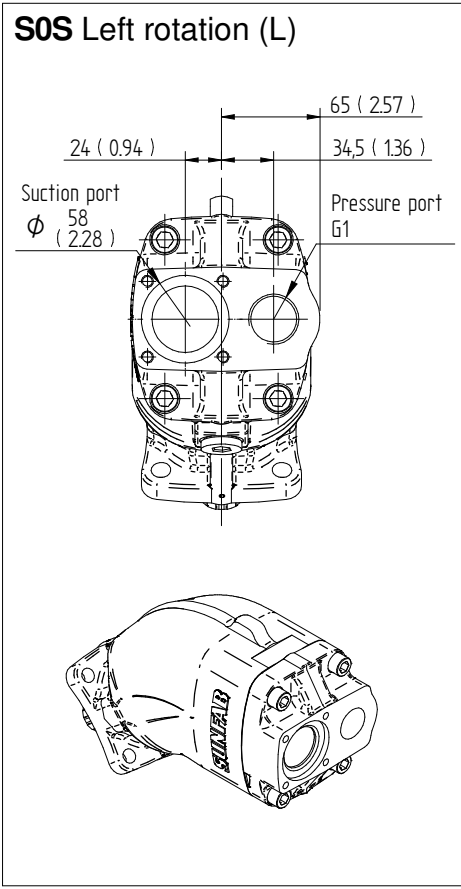
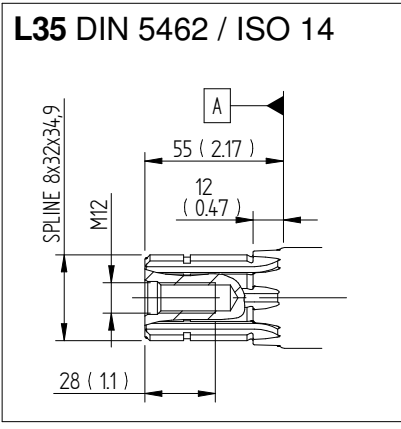
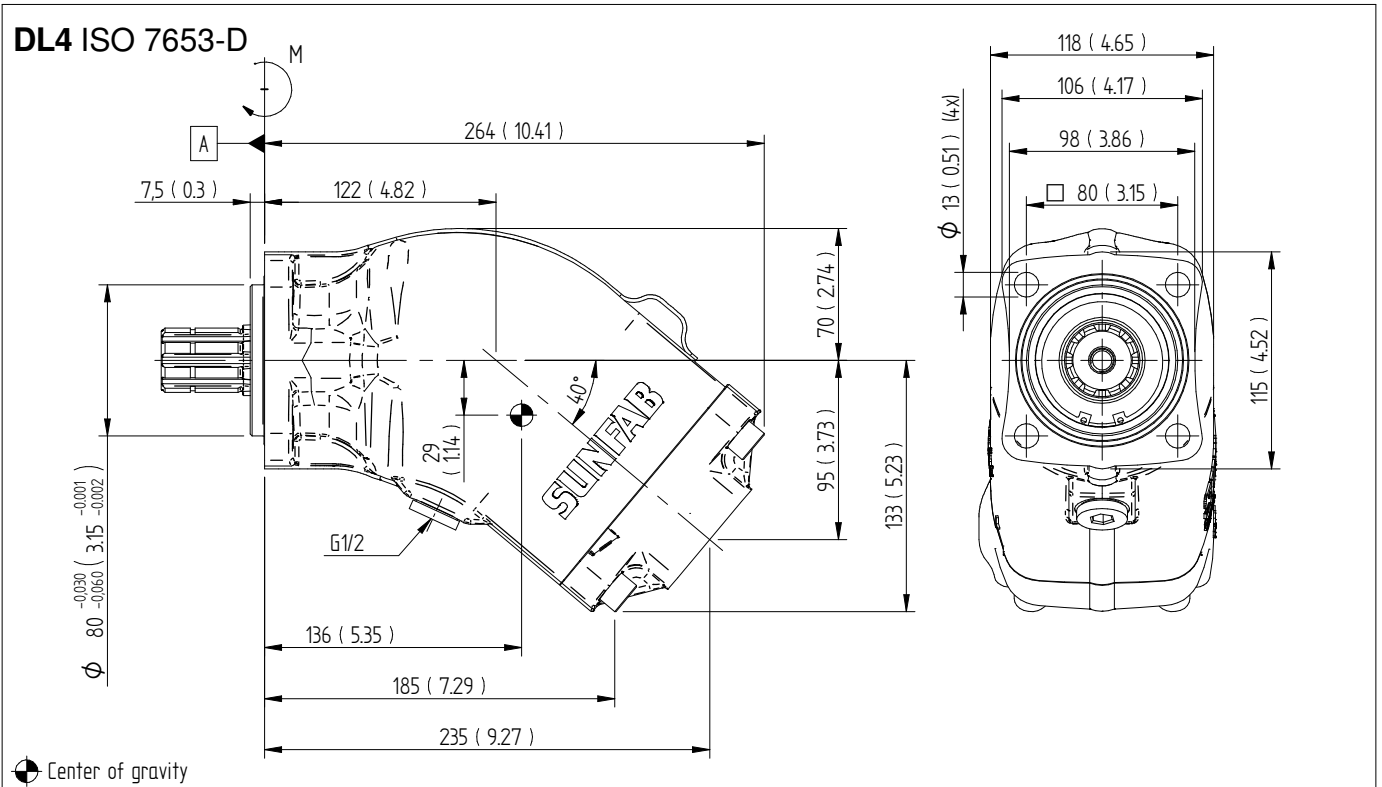


H35 DIN 5462 / ISO 14



Dimensions SAP 084-108 DIN, SAPT 130 DIN

Millimeter (inch)





WARNING!

When the pump is running:

1. Do not touch the pressure hose
2. Watch out for rotating parts
3. The pump and hoses may be hot

Sunfab reserves the right to make changes in design and dimensions without notice. Printing and typesetting errors reserved.

© Copyright 2021 Sunfab Hydraulics AB. All Rights Reserved.