



SAPT 090, 130 DIN is an addition to the SAP series that supports larger flows and pressure up to 300 bar.

SAPT 090, 130 DIN are ideal for applications that require both a high flow and a high working pressure in combination with demands on small installation measurements. The pumps are either mounted directly on the power take-off or on a frame bracket via an intermediate shaft.

Other advantages:

- Light weight metal casing design
- Smooth operation over the entire speed range
- Long life due to high demands on material selection, such as bearings, seals, etc
- Corrosion free light metal-housing
- Less heat generation due to better ability to dissipate heat through housing

Versions, main data

Example

SA	PT	-	090	L	-	N	-	DL4	-	L35	-	S0	S	-	0	00
Line	1		2	3		4		5		6		7	8		9	10

Line	
SA	Sunfab Aluminium

1. Type	
PT	Tipper pump

2. Displacement	
	090 130

3. Direction of rotation	
R	Right
L	Left

4. Sealing	
N	Nitrile
V	HNBR

5. Mounting flange	
DL4	DIN 4-h (ISO 7653D)

6. Shaft	
L35	DIN 5462 / ISO 14

7.	
S0	40° Sunfab standard

8. Connections	
S	Sunfab standard

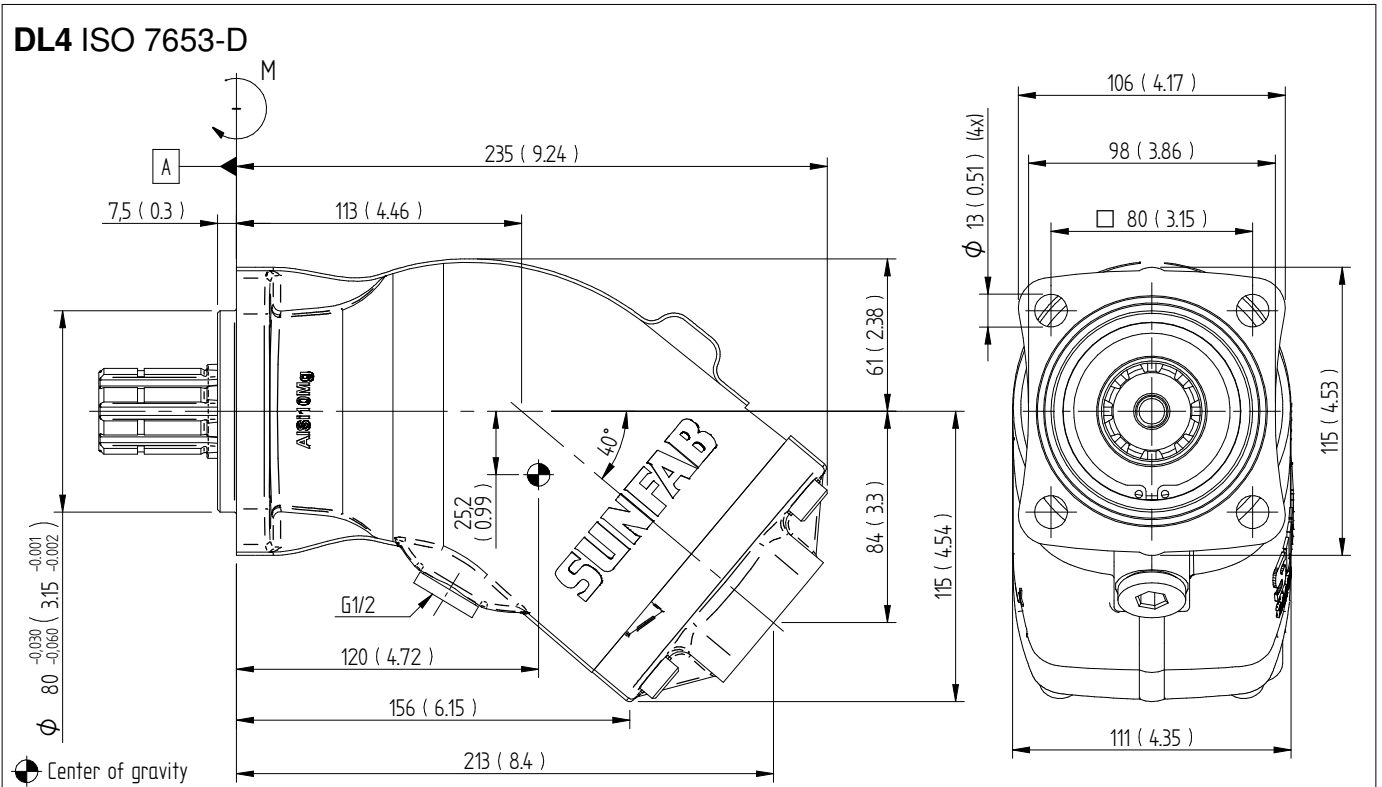
9. Additional	
0	-

10. Accessories	
00	No accessories available

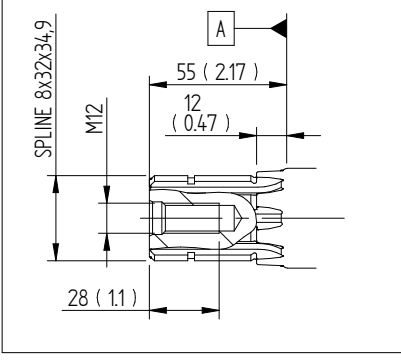
Pump SAPT 090, 130 DIN		090	130
Theoretical oil flow l/min at pump speed	rpm	500	65.0
		1000	130.0
		1500	195.0
Displacement	cm^3/rev	90.0	130.0
Max pump speed continuous limited	rpm	1500	1500
		2000	2000
Max working pressure	bar	300	300
Weight	kg	9.8	13.9
Tare-weight torque (M)	Nm	M	11.5
Direction of rotation	Left (L) or Right (R)		

Dimensions SAP 040-064, SAPT 090

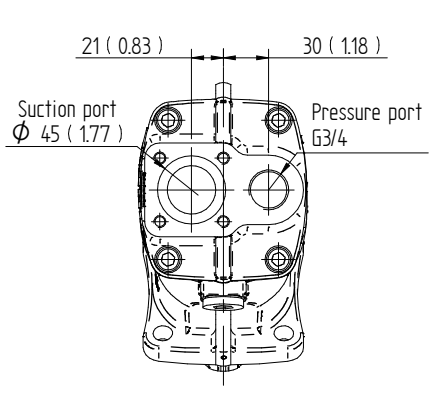
Millimeter (inch)



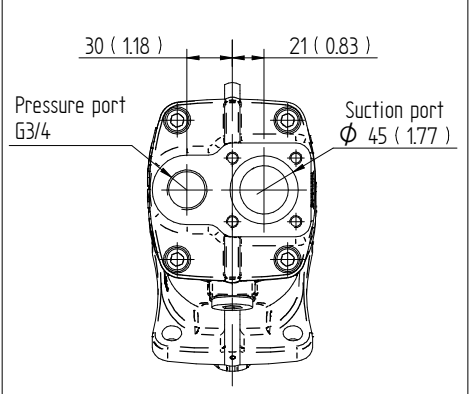
L35 DIN 5462 / ISO 14



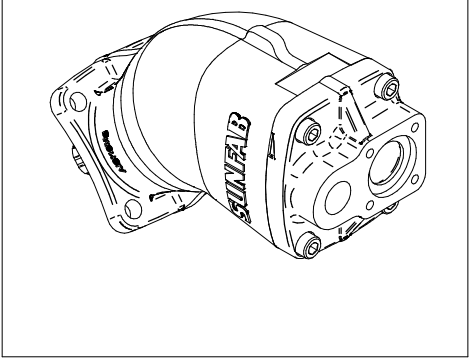
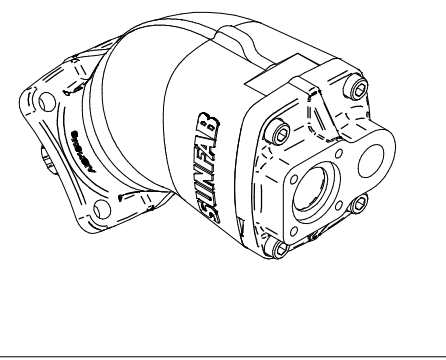
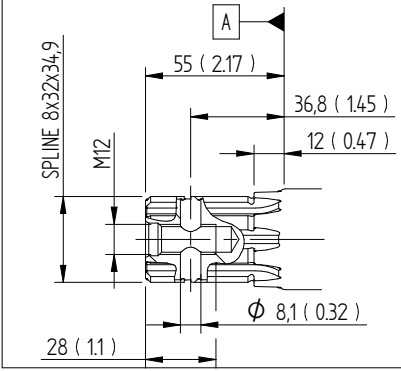
S0S Left rotation (L)



S0S Right rotation (R)

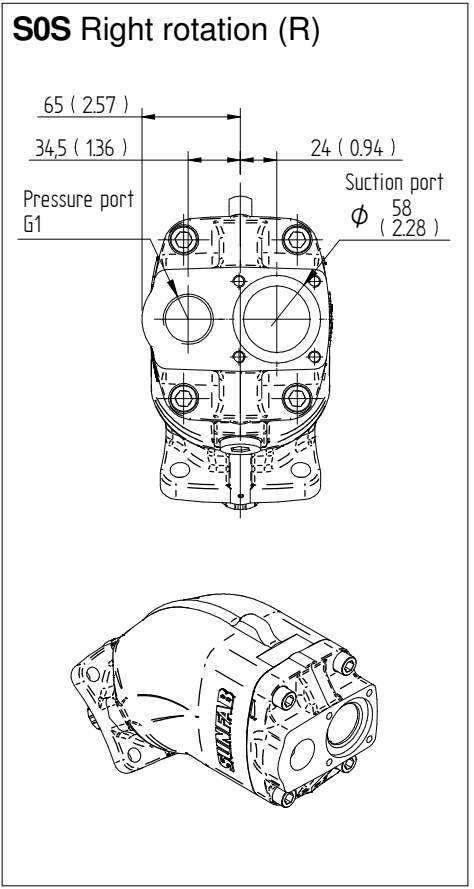
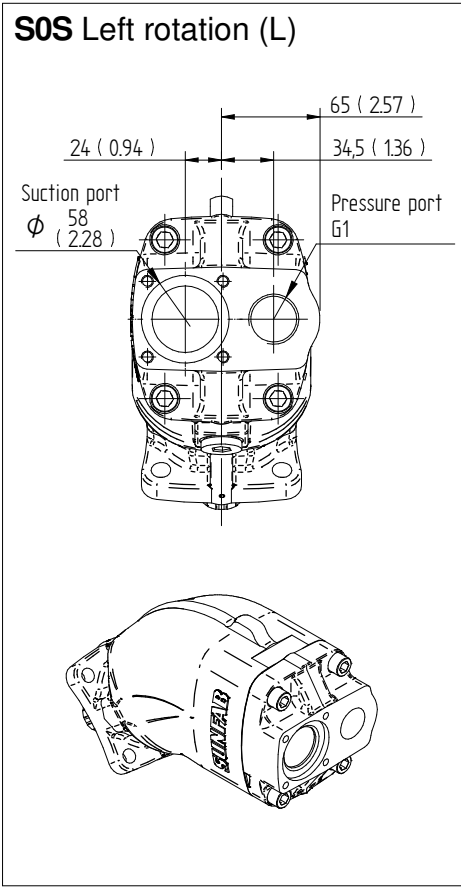
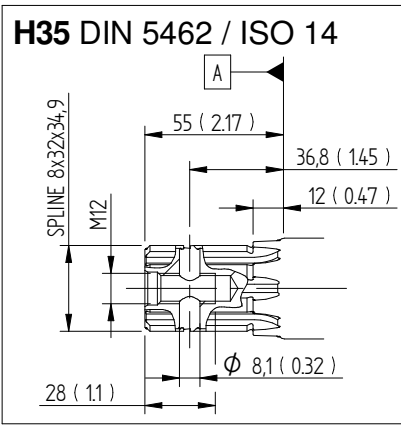
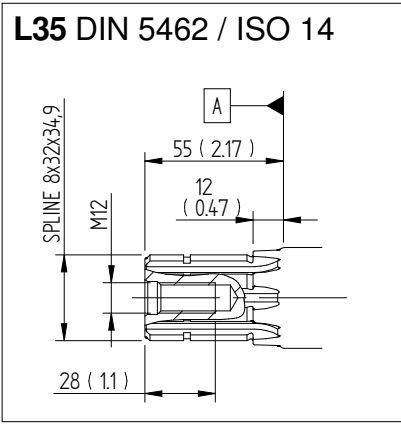
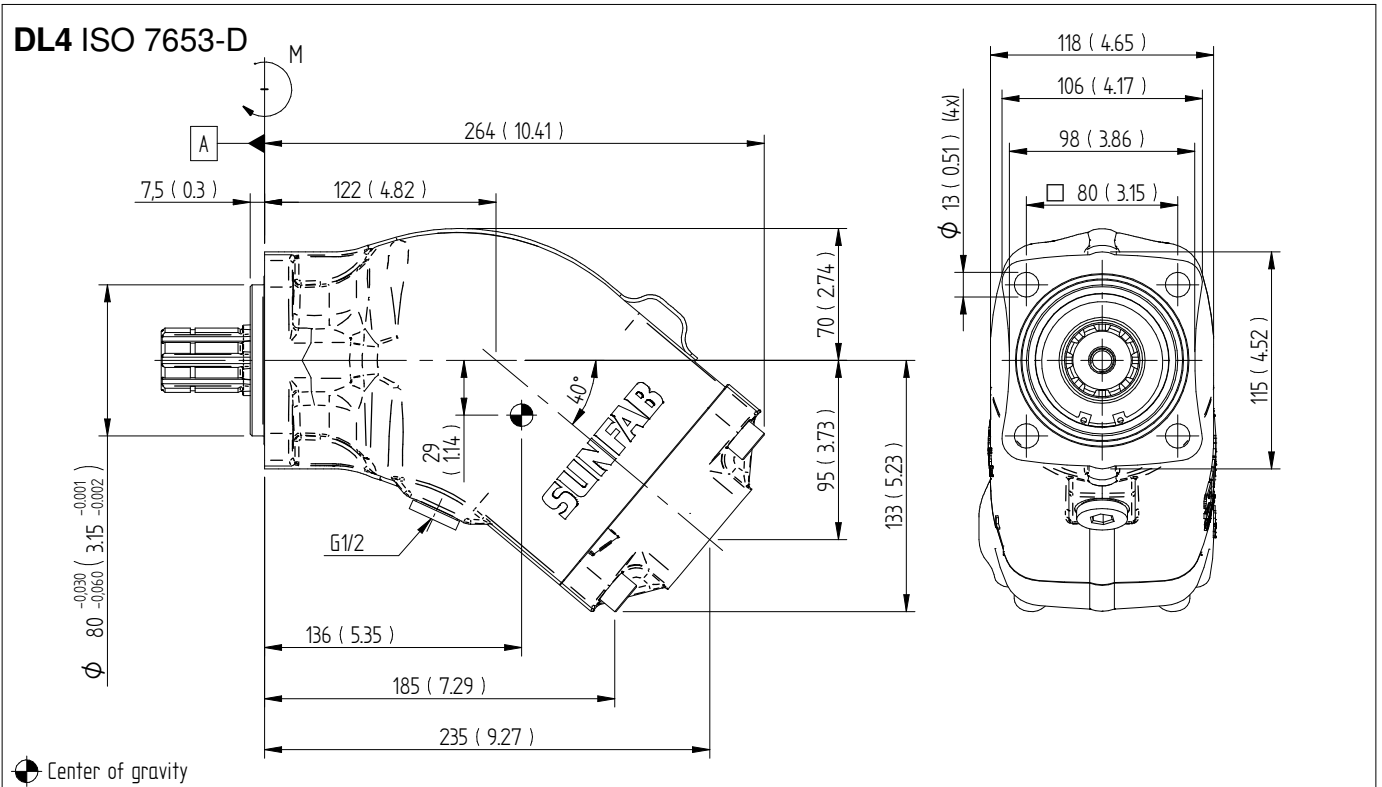


H35 DIN 5462 / ISO 14



Dimensions SAP 084-108, SAPT 130

Millimeter (inch)





WARNING!

When the pump is running:

1. Do not touch the pressure hose
2. Watch out for rotating parts
3. The pump and hoses may be hot

Sunfab reserves the right to make changes in design and dimensions without notice. Printing and typesetting errors reserved.

© Copyright 2019 Sunfab Hydraulics AB. All Rights Reserved.