



**SAP DIN Optimized is a series of piston pumps with a fixed displacement for demanding mobile hydraulics.**

SAP 084, 108 DIN Optimized covers the displacement range 5.10 and 6.59 cu in/rev at a maximum pressure of 5800 psi. It is a modern, compact pump which meets the market's high demands on flow performance, pressure, efficiency and small installation dimensions. It is either mounted directly on the power take-off or on a frame bracket via an intermediate shaft.

The optimized option gives a maximum pressure of 5800 psi. The benefits include a more silent operation with higher pump speed at 2300 rpm. It is speed-optimized and therefore supplied for either left (L) or right (R) rotation direction.

The front seals in the pump are made of HNBR to withstand the higher temperatures that occur at engine PTO mounting.

**Other advantages:**

- Light weight metal casing design
- Smooth operation over the entire speed range
- Long life due to high demands on material selection, such as bearings, seals, etc
- Corrosion free light metal-housing
- Less heat generation due to better ability to dissipate heat through housing

## Versions, main data

Example

<b>SA</b>	<b>P</b>	-	<b>084</b>	<b>L</b>	-	<b>V</b>	-	<b>DL4</b>	-	<b>L35</b>	-	<b>S0</b>	<b>S</b>	-	<b>2</b>	<b>00</b>
Line	1		2	3		4		5		6		7	8		9	10

Line	SA	Sunfab Aluminium
------	----	------------------

1. Type	P	Pump
---------	---	------

2. Displacement	084	108
-----------------	-----	-----

3. Direction of rotation	R	Right
	L	Left

4. Sealing	V	HNBR
------------	---	------

5. Mounting flange	DL4	DIN 4-h (ISO 7653D)
--------------------	-----	---------------------

6. Shaft	L35	DIN 5462 / ISO 14
----------	-----	-------------------

7. Connection cover	S0	40° Sunfab standard
---------------------	----	---------------------

8. Connections	S	Sunfab standard
----------------	---	-----------------

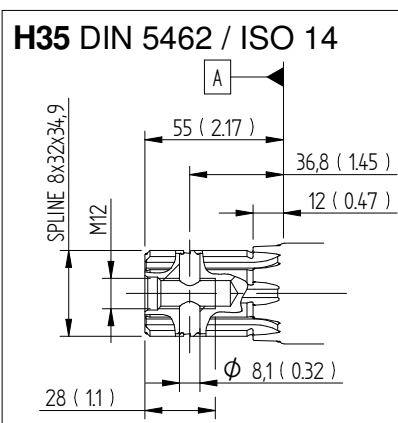
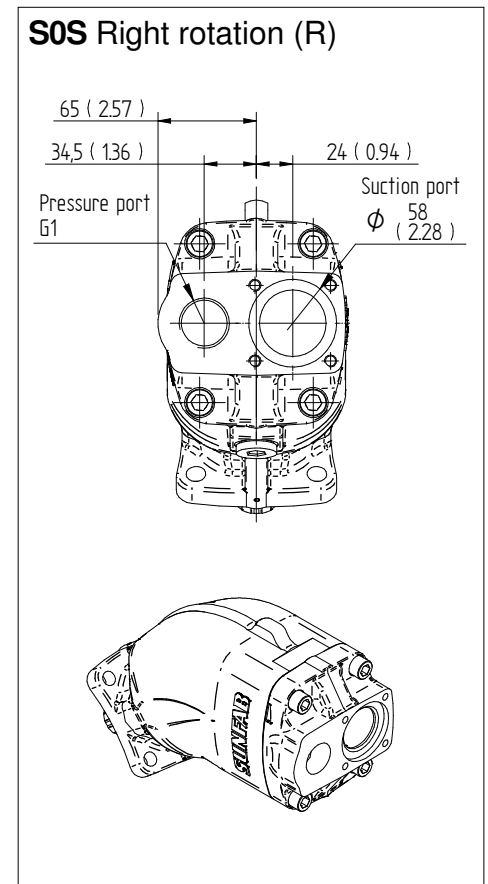
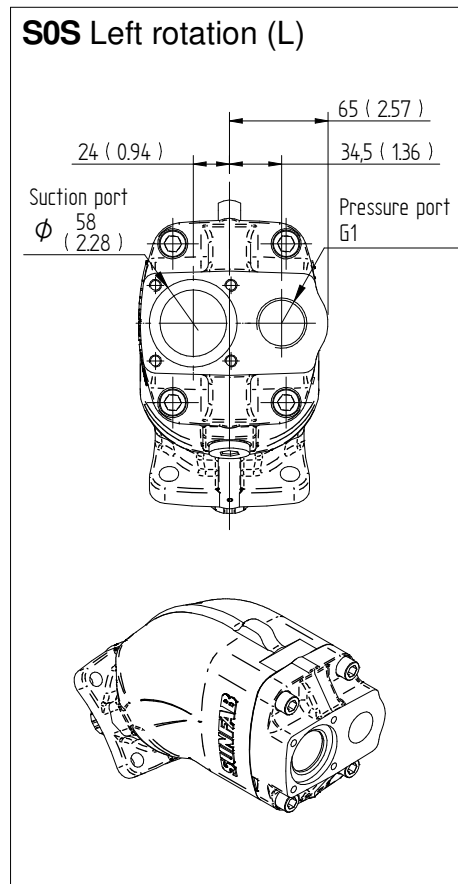
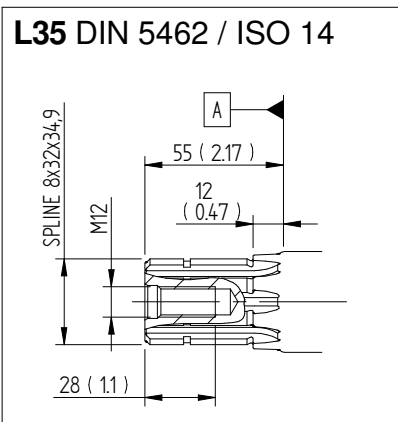
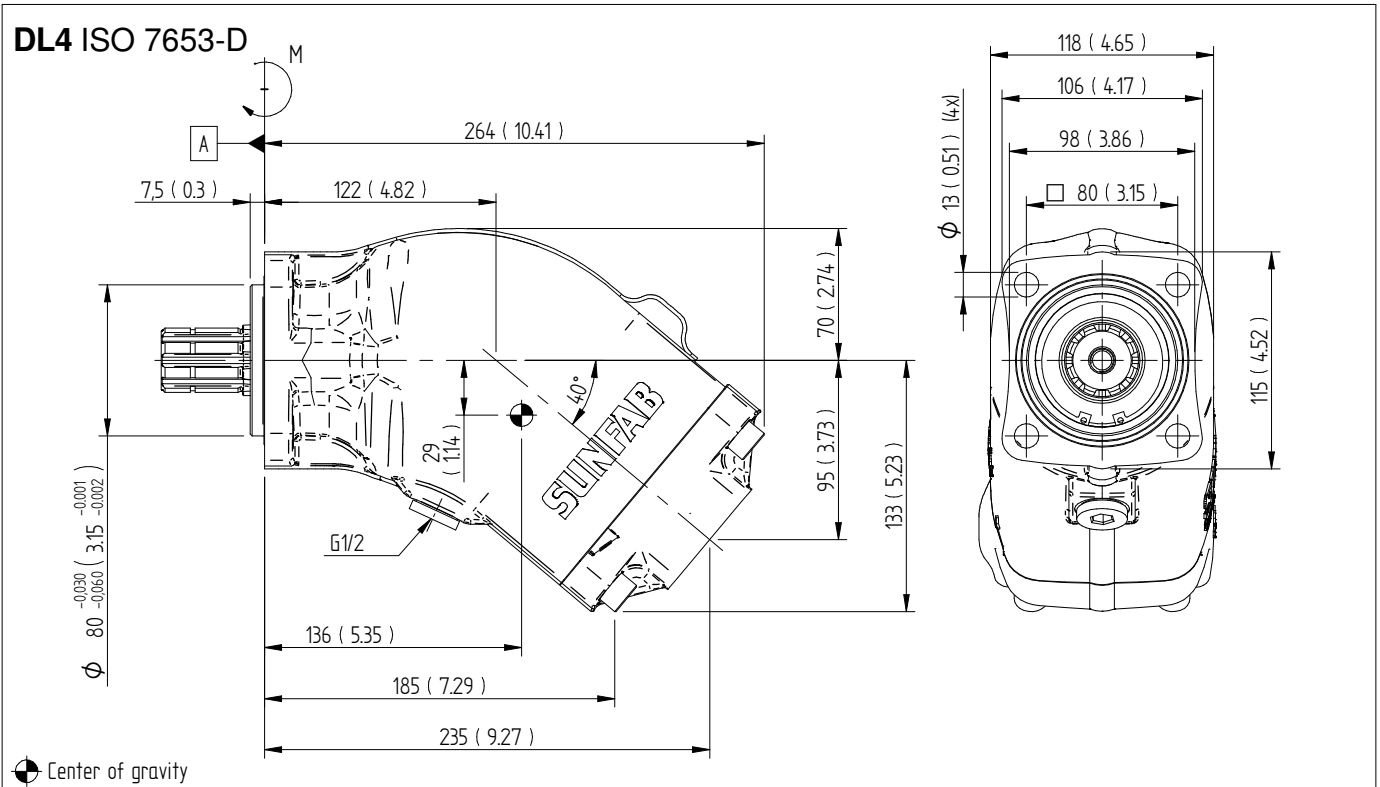
9. Additional	2	Optimised
---------------	---	-----------

10. Accessories	00	No accessories available
-----------------	----	--------------------------

<b>SAP 084, 108 DIN Optimized</b>		084	108
Theoretical oil flow at pump speed		<b>GPM</b>	
	rpm	500	11.0
		1000	22.1
		1500	33.1
Displacement	cu in/rev	5.10	6.59
Max pump speed			
	continuous	rpm	1800
limited		2300	2300
Max working pressure	psi	5800	5800
Weight	lb	30.6	30.6
Tare-weight torque (M)	lb-ft	13.6	13.6
Direction of rotation	Left (L) or Right (R)		

# Dimensions SAP 084-108 DIN, SAPT 130 DIN

Millimeter (inch)





**WARNING!**

When the pump is running:

1. Do not touch the pressure hose
2. Watch out for rotating parts
3. The pump and hoses may be hot

Sunfab reserves the right to make changes in design and dimensions without notice. Printing and typesetting errors reserved.

© Copyright 2021 Sunfab Hydraulics AB. All Rights Reserved.