



SAP DIN Optimised for Injector is an externally drained variant of the SAP series, which offers a very high oil flow in combination with the Sunfab injector K-Jet 2.

SAP 084, 108 DIN Optimised for Injector is suitable for hydraulic motor operations in closed hydraulic systems with injector K-Jet 2 for pressurisation of the suction side. This gives excellent speed characteristics and high flows.

The front seals in the pump are made of HNBR to withstand the higher temperatures that occur at engine PTO mounting. It is a speed-optimised pump and therefore supplied for either left (L) or right (R) rotation direction.

Other advantages:

- Light weight metal casing design
- Smooth operation over the entire speed range
- Long life due to high demands on material selection, such as bearings, seals, etc
- Corrosion free light metal-housing
- Less heat generation due to better ability to dissipate heat through housing

Versions, main data

Example

SA	P	-	084	L	-	V	-	DL4	-	L35	-	S0	S	-	3	00
Line	1		2	3		4		5		6		7	8		9	10

Line	
SA	Sunfab Aluminium
P	Pump

2. Displacement	
084	108

3. Direction of rotation	
R	Right
L	Left

4. Sealing	
V	HNBR

5. Mounting flange	
DL4	DIN 4-h (ISO 7653D)

6. Shaft	
L35	DIN 5462 / ISO 14

7. Connection cover	
S0	40° Sunfab standard

8. Connections	
S	Sunfab standard

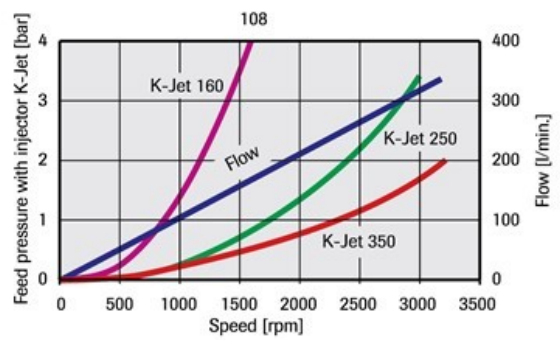
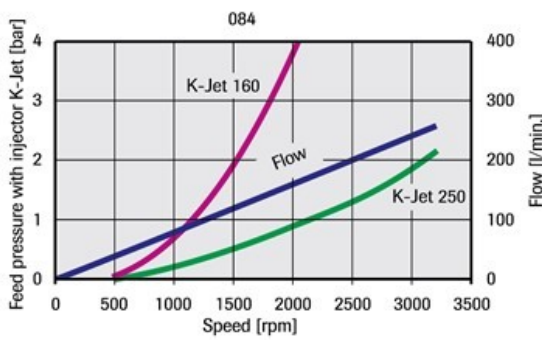
9. Additional	
3	Optimised for injector

10. Accessories	
00	No accessories available

See separate brochure "Injector" for more information.

SAP 084, 108 DIN Optimised for Injector

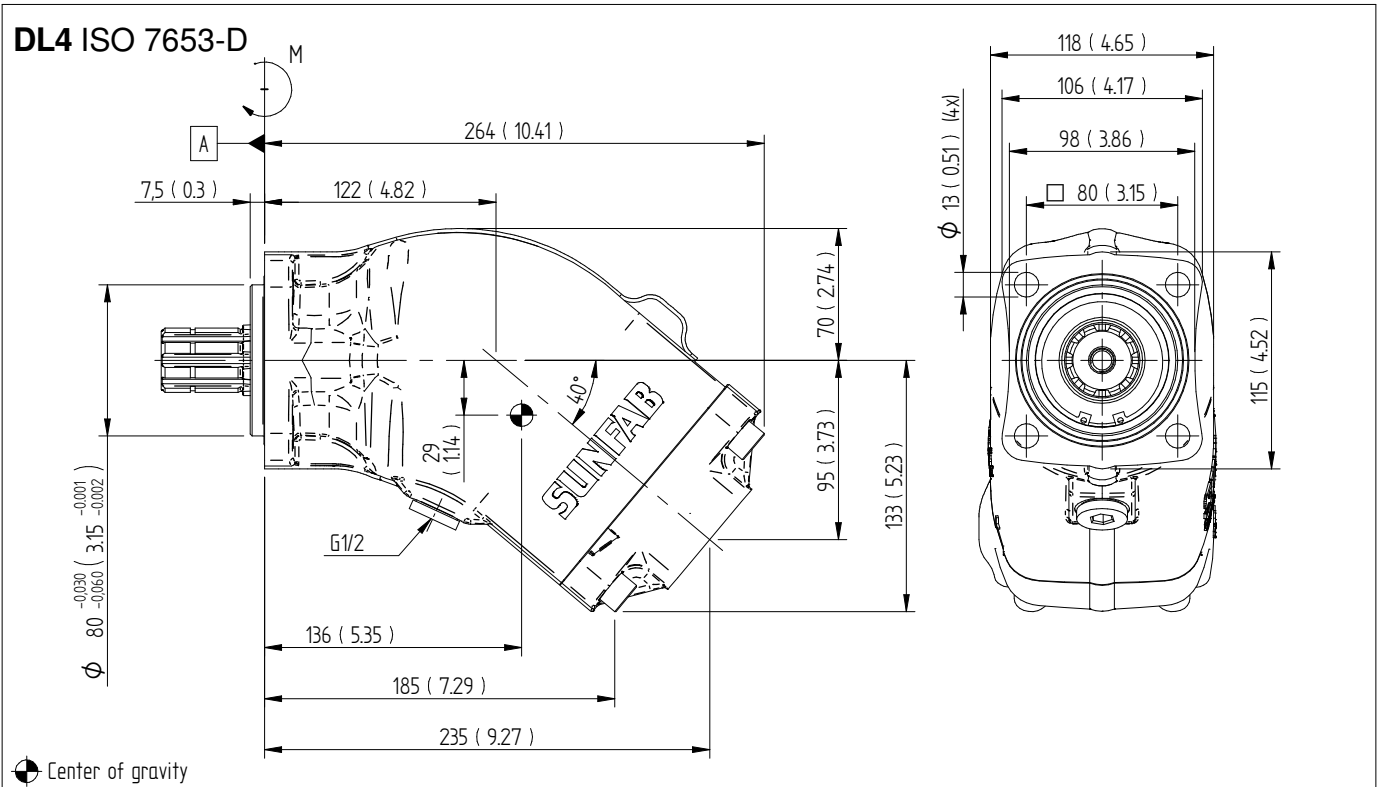
	084			108				
	without	160	250	without	160	250	350	
K-Jet 2								
Oil flow at 97% vol. efficiency and 200 bar	rpm	l/min			l/min			
	500	41	-		52	-	-	
	1000	81	81		105	105	-	
	1500	122	122		157	157	157	
	2000		162			210	210	
	2500					262	262	
	3000		243				314	
Displacement	cm ³ /rev	83.6			108.0			
Max pump speed								
min continuous	rpm	300	750	1200	300	550	1000	1200
max continuous		1800	2000	3000	1800	1500	2500	3000
max limited		2300			2300			
Max working pressure	bar	400			400			
Weight	kg	13.9			13.9			
Tare-weight torque (M)	Nm	18.5			18.5			
Direction of rotation		Left (L) or Right (R)						



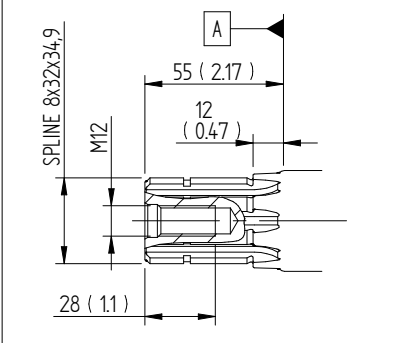
Threaded suction connection with feed pressure above 4 bar.

Dimensions SAP 084-108 DIN, SAPT 130 DIN

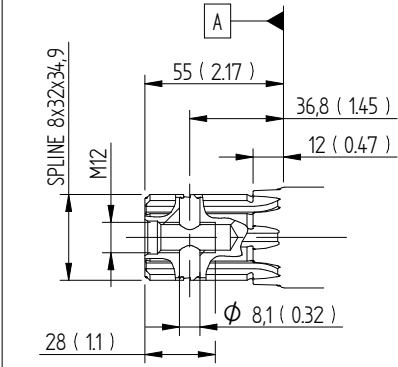
Millimeter (inch)



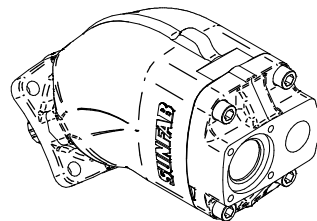
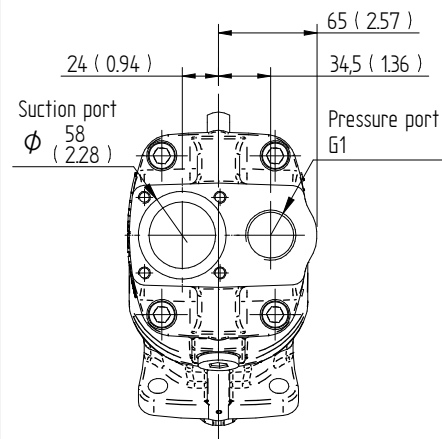
L35 DIN 5462 / ISO 14



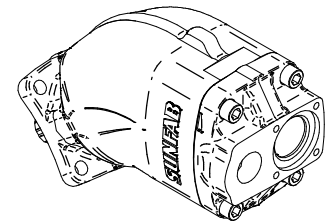
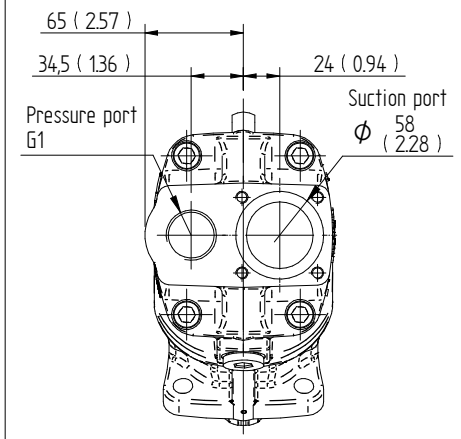
H35 DIN 5462 / ISO 14



S0S Left rotation (L)



S0S Right rotation (R)





WARNING!

When the pump is running:

1. Do not touch the pressure hose
2. Watch out for rotating parts
3. The pump and hoses may be hot

Sunfab reserves the right to make changes in design and dimensions without notice. Printing and typesetting errors reserved.

© Copyright 2021 Sunfab Hydraulics AB. All Rights Reserved.