



SAP DIN Optimized for Injector is an externally drained variant of the SAP series, which offers a very high oil flow in combination with the Sunfab injector K-Jet 2.

SAP 084, 108 DIN Optimized for Injector is suitable for hydraulic motor operations in closed hydraulic systems with injector K-Jet 2 for pressurisation of the suction side. This gives excellent speed characteristics and high flows.

The pump's front shaft seals are manufactured from fluor rubber to withstand the higher temperatures involved with engine mounting. It is a speed-optimized pump and therefore supplied for either left (L) or right (R) rotation direction.

Other advantages:

- Light weight metal casing design
- Smooth operation over the entire speed range
- Long life due to high demands on material selection, such as bearings, seals, etc
- Corrosion free light metal-housing
- Less heat generation due to better ability to dissipate heat through housing

Versions, main data

Example

| | | | | | | | | | | | | | | | | |
|-----------|----------|---|------------|----------|---|----------|---|------------|---|------------|---|-----------|----------|---|----------|-----------|
| SA | P | - | 084 | L | - | V | - | DL4 | - | L35 | - | S0 | S | - | 3 | 00 |
| Line | 1 | | 2 | 3 | | 4 | | 5 | | 6 | | 7 | 8 | | 9 | 10 |

| | |
|------|------------------|
| Line | |
| SA | Sunfab Aluminium |
| P | Pump |

| | |
|-----------------|-----|
| 2. Displacement | |
| 084 | 108 |

| | |
|--------------------------|-------|
| 3. Direction of rotation | |
| R | Right |
| L | Left |

| | |
|------------|------|
| 4. Sealing | |
| V | HNBR |

| | |
|--------------------|---------------------|
| 5. Mounting flange | |
| DL4 | DIN 4-h (ISO 7653D) |

| | |
|----------|-------------------|
| 6. Shaft | |
| L35 | DIN 5462 / ISO 14 |

| | |
|---------------------|---------------------|
| 7. Connection cover | |
| S0 | 40° Sunfab standard |

| | |
|----------------|-----------------|
| 8. Connections | |
| S | Sunfab standard |

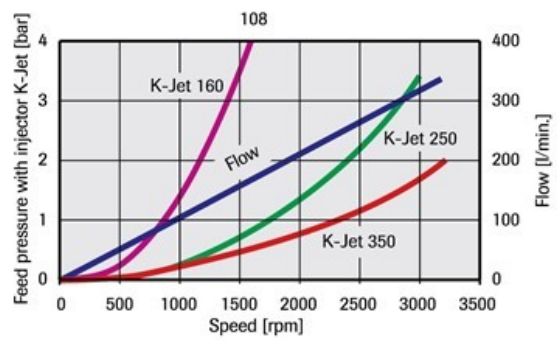
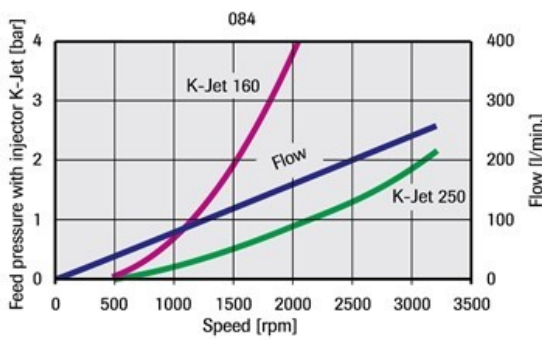
| | |
|---------------|------------------------|
| 9. Additional | |
| 3 | Optimised for injector |

| | |
|-----------------|--------------------------|
| 10. Accessories | |
| 00 | No accessories available |

See separate brochure "Injector" for more information.

SAP 084, 108 DIN Optimized for Injector

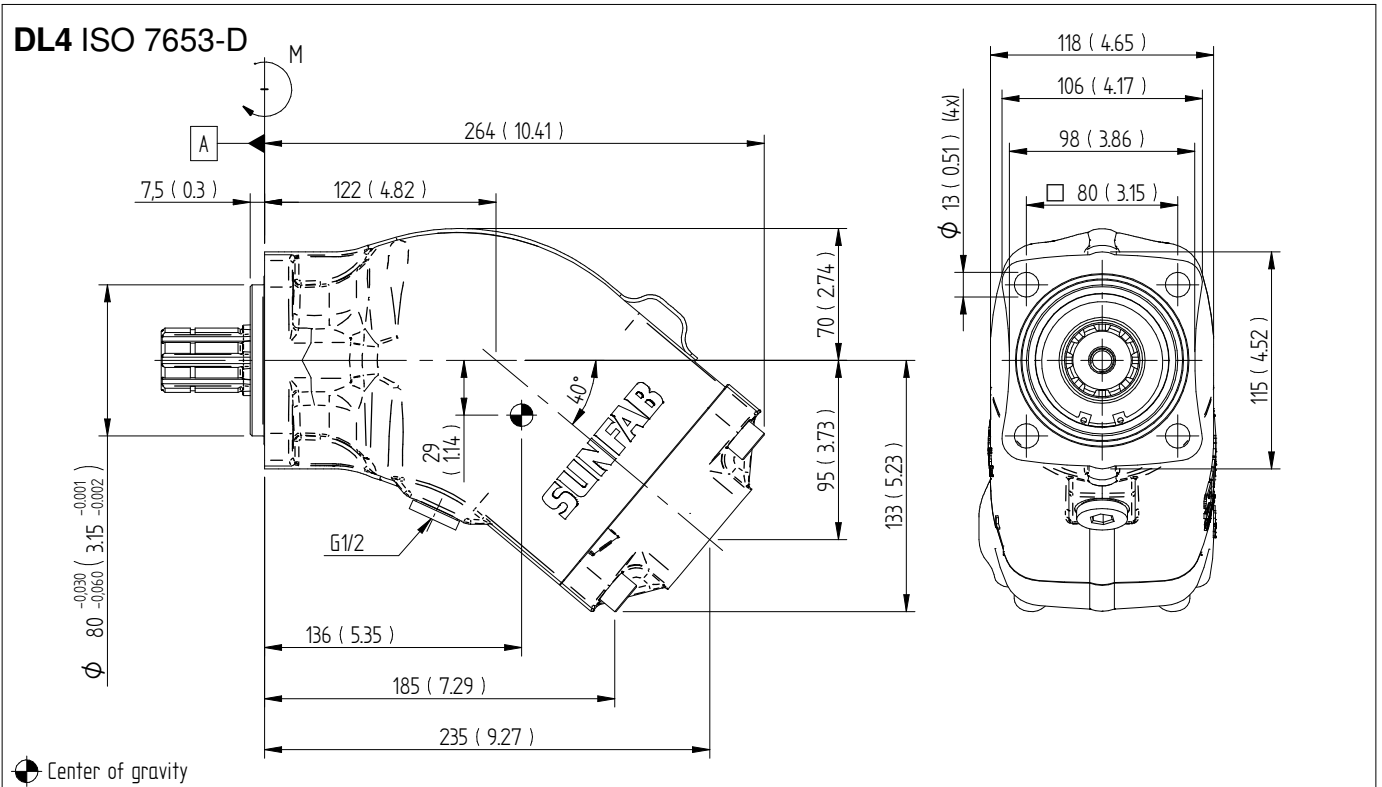
| | 084 | | | | 108 | | | |
|--|-----------|-----------------------|------|------|---------|------|------|------|
| | without | 160 | 250 | | without | 160 | 250 | 350 |
| K-Jet 2 | | | | | | | | |
| Oil flow at 97% vol. efficiency and 20 MPa | rpm | GPM | | | GPM | | | |
| | 500 | 10.7 | - | - | 13.8 | 13.8 | - | - |
| | 1000 | 21.4 | 21.4 | - | 27.7 | 27.7 | 27.7 | - |
| | 1500 | 32.1 | 32.1 | 32.1 | 41.5 | 41.5 | 41.5 | 41.5 |
| | 2000 | | 42.8 | 42.8 | | | 55.3 | 55.3 |
| | 2500 | | | 53.6 | | | 69.2 | 69.2 |
| | 3000 | | | 64.3 | | | | 83.0 |
| Displacement | cu in/rev | 5.10 | | | 6.59 | | | |
| Max pump speed | | | | | | | | |
| min continuous | rpm | 300 | 750 | 1200 | 300 | 550 | 1000 | 1200 |
| max continuous | | 1800 | 2000 | 3000 | 1800 | 1500 | 2500 | 3000 |
| max limited | | 2300 | | | 2300 | | | |
| Max working pressure | psi | 5800 | | | 5800 | | | |
| Weight | lb | 30.6 | | | 30.6 | | | |
| Tare-weight torque (M) | lb-ft | 13.6 | | | 13.6 | | | |
| Direction of rotation | | Left (L) or Right (R) | | | | | | |



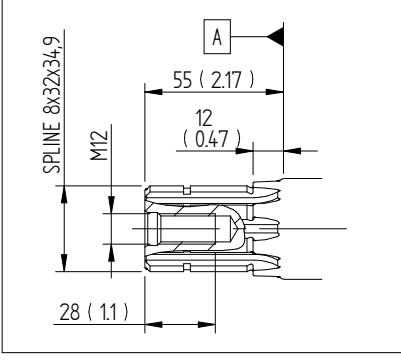
Threaded suction connection with feed pressure above 4 bar.

Dimensions SAP 084-108 DIN, SAPT 130 DIN

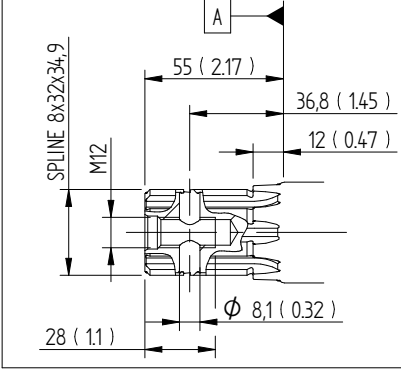
Millimeter (inch)



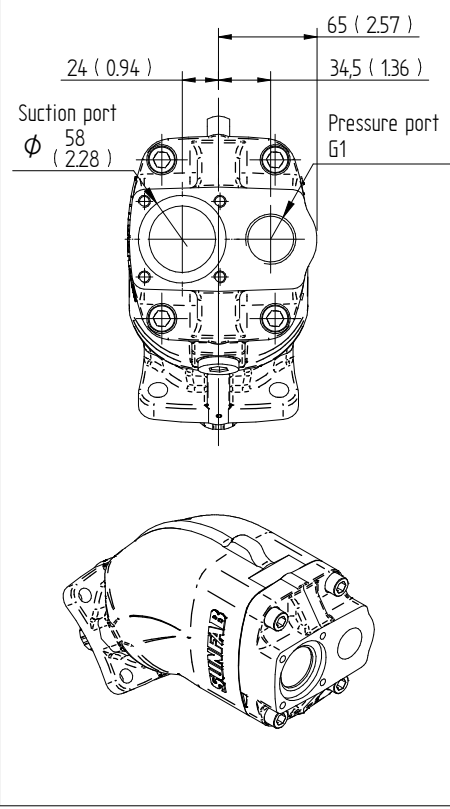
L35 DIN 5462 / ISO 14



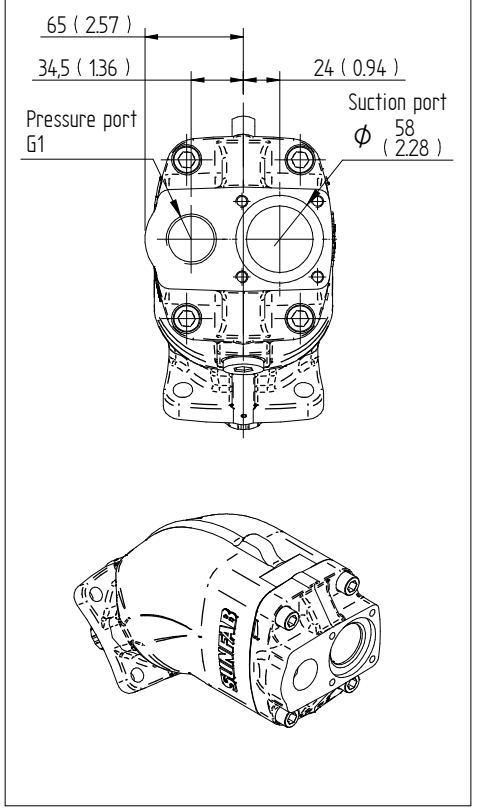
H35 DIN 5462 / ISO 14



S0S Left rotation (L)



S0S Right rotation (R)





WARNING!

When the pump is running:

1. Do not touch the pressure hose
2. Watch out for rotating parts
3. The pump and hoses may be hot

Sunfab reserves the right to make changes in design and dimensions without notice. Printing and typesetting errors reserved.

© Copyright 2021 Sunfab Hydraulics AB. All Rights Reserved.