



**SCP 012-108 SAE is a series of piston pumps with a fixed displacement for demanding mobile hydraulics.**

Sunfab SCP 012-108 SAE pumps are equipped with shafts and flanges according to the SAE-B and SAE-C standard. They are available in the range from 12-108 cm<sup>3</sup>. It is a modern, compact pump which meets the market's high demands on flow performance, pressure, efficiency and small installation dimensions.

The pump is either mounted directly on the power take-off or on a frame bracket via an intermediate shaft. The stop shoulder on the angular housing allows the pump's direction of rotation to be changed without the risk of altering the gear meshing.

**Other advantages:**

- High maximum speed while maintaining low noise levels
- Smooth operation over the entire speed range
- Long life due to high demands on material selection, such as bearings, seals, etc
- O-rings on all contact surfaces as well as double shaft seals eliminate oil leakage from the pump and power take-off

## Versions, main data

Example

<b>SC</b>	<b>P</b>	-	<b>084</b>	<b>L</b>	-	<b>N</b>	-	<b>SC4</b>	-	<b>C14</b>	-	<b>S0</b>	<b>S</b>	-	<b>0</b>	<b>00</b>
Line	1		2	3		4		5		6		7	8		9	10

Line	SC	Sunfab Compact, bent-axis design
------	----	----------------------------------

1. Type	P	Pump
---------	---	------

2. Displacement	012	017	025	034	040	047	056	064	084	108
-----------------	-----	-----	-----	-----	-----	-----	-----	-----	-----	-----

3. Direction of rotation	R	Right
	L	Left

4. Sealing	N	Nitrile
------------	---	---------

5. Mounting flange		012	017	025	034	040	047	056	064	084	108
SB4	SAE B4	X	X	X	X	X	X	X	X	-	-
SC4	SAE C4	-	-	-	-	X	X	X	X	X	X

6. Shaft		012	017	025	034	040	047	056	064	084	108
B13	SAE B 13t	-	-	X	X	X	X	X	X	-	-
H13	SAE B 13t	X	X	X	X	X	X	X	X	-	-
C14	SAE C 14t	-	-	-	-	X	X	X	X	X	X

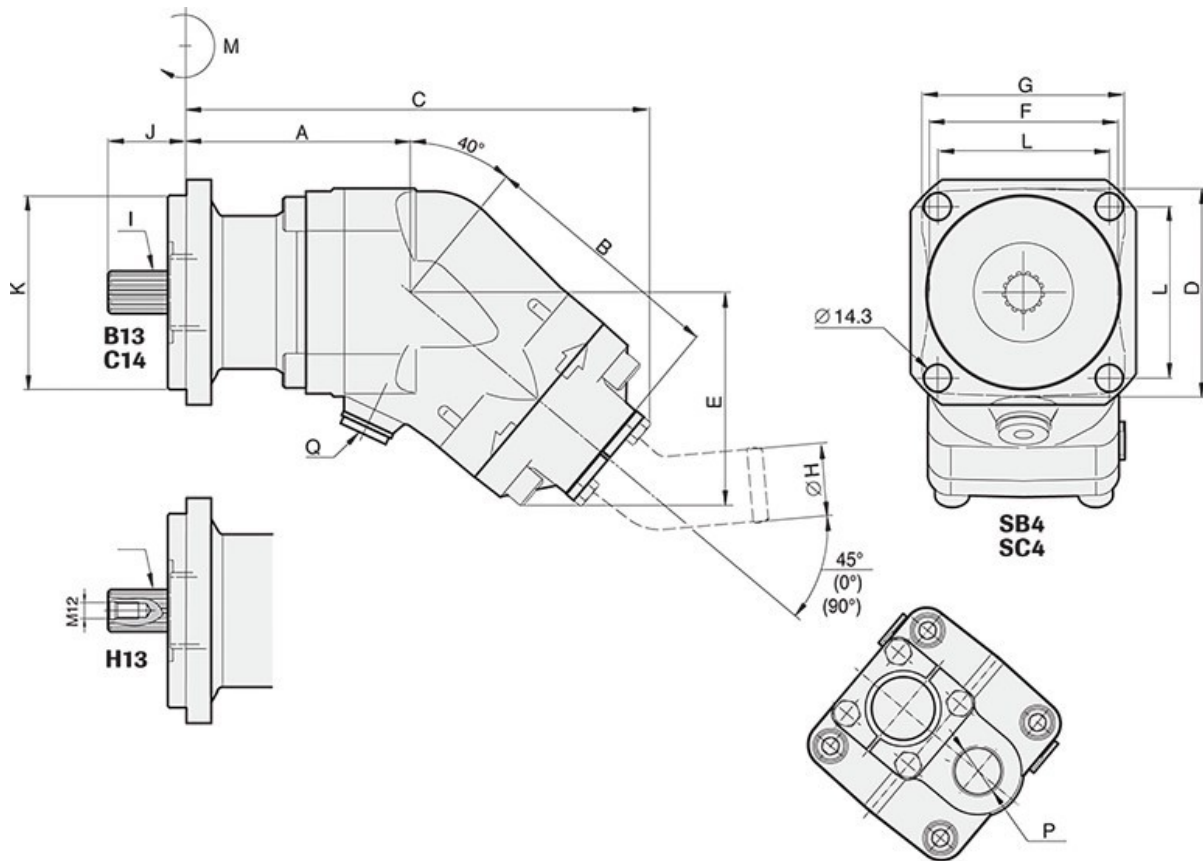
7. Connection cover	S0	40° Sunfab standard
---------------------	----	---------------------

8. Connections	S	Sunfab standard
----------------	---	-----------------

9. Additional	0	-
---------------	---	---

10. Accessories	00	No accessories available
-----------------	----	--------------------------

SCP 012-108 SAE		012	017	025	034	040	047	056	064	040	047	056	064	084	108	
Theoretical oil flow at pump speed		l/min									l/min					
	rpm	500	6	9	13	17	21	24	28	32	21	24	28	32	42	54
		1000	13	17	25	34	41	47	57	64	41	47	57	64	84	108
		1500	19	26	38	51	62	71	85	95	62	71	85	95	125	162
Displacement	cm <sup>3</sup> /rev	12.6	17.0	25.4	34.2	41.2	47.1	56.7	63.5	41.2	47.1	56.7	63.5	83.6	108.0	
Max pump speed																
	rpm	2300	2300	2300	2300	1900	1900	1900	1900	1900	1900	1900	1900	1900	1500	1500
continuous limited		3000	3000	3000	3000	2500	2500	2500	2500	2500	2500	2500	2500	2000	2000	
Max working pressure	Bar	400	400	400	400	400	400	400	350	400	400	400	400	400	400	
Weight	kg	8.7	8.6	8.9	8.8	12.3	12.3	12.3	12.2	14.3	14.3	14.3	14.1	19.0	19.0	
Dimensions	mm	A	101	101	101	101	117	117	117	119	119	119	119	128	128	
		B	117	117	117	117	130	130	130	130	130	130	130	147	147	
		C	209	209	209	209	235	235	235	235	237	237	237	262	262	
		D	99	99	99	99	109	109	109	109	109	109	109	126	126	
		E	97	97	97	97	112	112	112	112	112	112	112	126	126	
		F	89	89	89	89	99	99	99	99	99	99	99	115	115	
		G	97	97	97	97	106	106	106	106	106	106	106	123	123	
		H	38	38	38	38	38	38	38	38	38	38	38	50	50	
		I	50	50	50	50	50	50	50	50	50	50	50	64	64	
SAE standard	I	SAE B									SAE C					
		13T-16/32DP									14T-12/24DP					
	J	41	41	41	41	41	41	41	41	41	56	56	56	56	56	
	K	101.6	101.6	101.6	101.6	101.6	101.6	101.6	101.6	101.6	127.0	127.0	127.0	127.0	127.0	
	L	89.8	89.8	89.8	89.8	89.8	89.8	89.8	89.8	89.8	114.5	114.5	114.5	114.5	114.5	
	ISO G	P	34	34	34	34	34	34	34	34	34	34	34	34	1	
	ISO G	Q	1/2	1/2	1/2	1/2	1/2	1/2	1/2	1/2	1/2	1/2	1/2	1/2	1/2	
Tare-weight torque (M)	Nm	6.9	6.9	7.4	7.4	13	13	13	13	13	13	13	13	21	21	
Direction of rotation		Left (L) or Right (R)														





**WARNING!**

When the pump is running:

1. Do not touch the pressure hose
2. Watch out for rotating parts
3. The pump and hoses may be hot

Sunfab reserves the right to make changes in design and dimensions without notice. Printing and typesetting errors reserved.

© Copyright 2021 Sunfab Hydraulics AB. All Rights Reserved.