

SCPD 76/76 DIN is a dual flow pump with two separate flows of equal sizes.

SCPD 76/76 DIN gives a maximum flow of $127 + 127 = 254$ lit/min and supports a maximum working pressure of 350 bar. It can effectively be directly mounted on gear boxes equipped with engageable and disengageable power take-offs.

SCPD 76/76 is a modern, compact pump, which meets the market's high demands on flow performance, pressure, efficiency and small installation dimensions.

It is speed optimized and therefore supplied for either left (L) or right (R) rotation direction.

Other advantages:

- Large displacement gives the possibility of low engine speeds and low noise levels.
- Long life due to high demands on material selection, such as bearings, seals, etc.
- O-rings on all contact surfaces as well as double shaft seals eliminate oil leakage from the pump and power takeoff.
- Highest displacement-to-size-ratio on the market.

Versions, main data Example

| | | | | | | | | | | | | | | | | |
|------|----|---|-------|---|---|---|---|-----|---|-----|---|----|---|---|---|----|
| SC | PD | - | 76/76 | L | - | N | - | DL4 | - | L35 | - | S0 | S | - | 2 | 00 |
| Line | 1 | | 2 | 3 | | 4 | | 5 | | 6 | | 7 | 8 | | 9 | 10 |

| | |
|------|----------------------------------|
| Line | |
| SC | Sunfab Compact, bent-axis design |

| | |
|---------|----------------|
| 1. Type | |
| PD | Dual flow pump |

| | |
|-----------------|-------|
| 2. Displacement | |
| | 76/76 |

| | |
|--------------------------|-------|
| 3. Direction of rotation | |
| L | Left |
| R | Right |

| | |
|------------|---------|
| 4. Sealing | |
| N | Nitrile |

| | |
|--------------------|----------------------|
| 5. Mounting flange | |
| DL4 | DIN 4-h (ISO 7653-D) |

| | |
|----------|-----------------|
| 6. Shaft | |
| L35 | DIN 5462/ISO 14 |

| | |
|----|-----------------|
| 7. | |
| S0 | Sunfab standard |

| | |
|----------------|-----------------|
| 8. Connections | |
| S | Sunfab standard |

| | |
|---------------|-----------|
| 9. Additional | |
| 2 | Optimised |

| | |
|-----------------|--------------------------|
| 10. Accessories | |
| 00 | No accessories available |

X = Standard, preferred

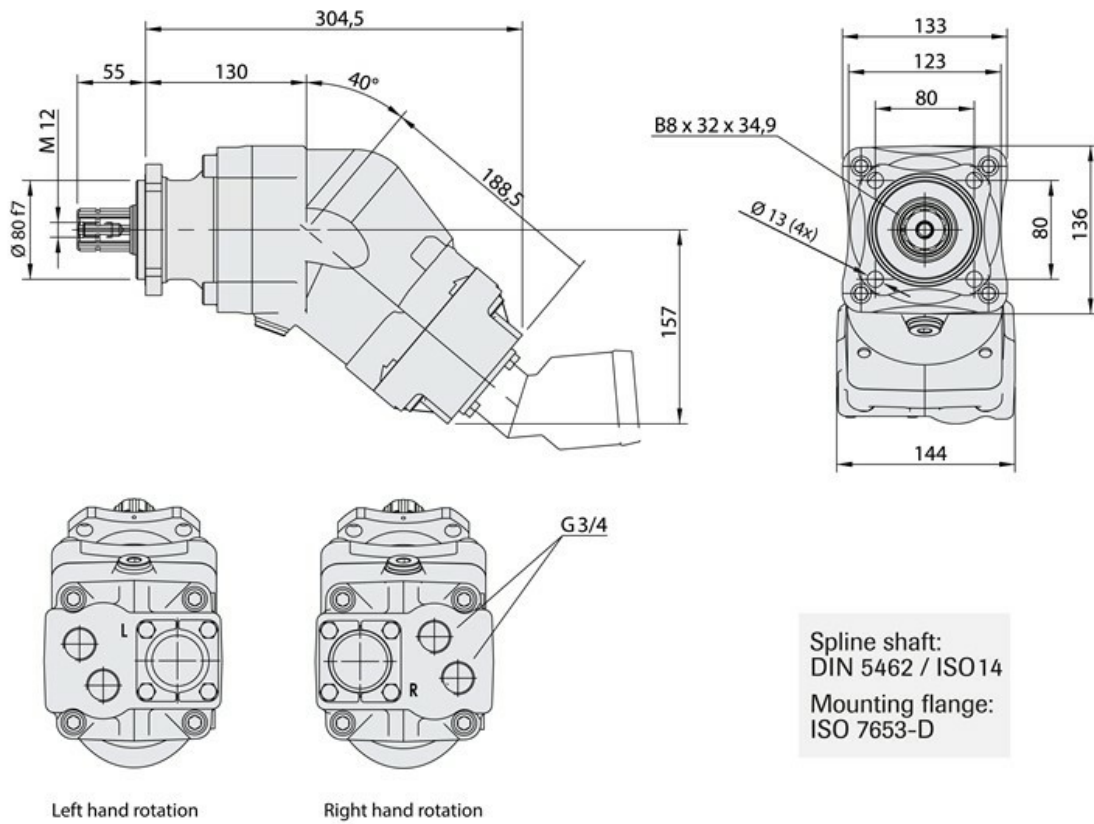
(X) = Available, option

O = Contact Sunfab

SCPD 76/76 DIN

| | | | | | |
|---|-----------------------|---------|-----------------------|-----------------------|------------------------|
| Theoretical oil flow A+B at pump speed | | | l/min | | |
| | rpm | 1000* | 75.0 + 75.0 = 150 | | |
| | | 1500 | 112,5 + 112,5 = 225 | | |
| Displacement A+B | cm ³ /rev | 75 + 75 | | | |
| Max pump speed | rpm | 1500 | | | |
| | | 1700 | | | |
| Max working pressure | bar | 350 | | | |
| Weight | kg | 23.2 | | | |
| Tare-weight torque (M) | Nm | 34.5 | | | |
| Theoretical power at pressure and pump speed | | | 200 Bar | 250 Bar | 350 Bar |
| | rpm | 1000* | 25.0 + 25.0 = 50.0 kW | 31.3 + 31.3 = 62.6 kW | 43.8 + 43.8 = 87.6 kW |
| | | 1500 | 37.5 + 37.5 = 75 kW | 46.9 + 46.9 = 93.8 kW | 65.6 + 65.6 = 131.2 kW |
| Theoretical torque on pump shaft at different pressures | | | 200 Bar | 250 Bar | 350 Bar |
| | | | 239 + 239 = 478 Nm | 298 + 298 = 596 Nm | 418 + 418 = 836 Nm |
| Direction of rotation | Left (L) or Right (R) | | | | |

*We recommend a minimum pump speed of 1000 rpm to obtain optimal performance, efficiency and life-span of the pump.



Spline shaft:
DIN 5462 / ISO 14
Mounting flange:
ISO 7653-D



WARNING!

When the pump is running:

1. Do not touch the pressure hose
2. Watch out for rotating parts
3. The pump and hoses may be hot

Sunfab reserves the right to make changes in design and dimensions without notice. Printing and typesetting errors reserved.

© Copyright 2019 Sunfab Hydraulics AB. All Rights Reserved.