



Sunfab Diod Gate is an assembly set for simultaneous electrical control of directional valves and activation of the pump flow via a By-Pass or Savtec valve.

Sunfab Diode Gate is primarily intended for electrical installations on combination vehicles with engine mounted PTO and a single or dual flows pump with By-Pass alternatively a SLPD pump with electrical Savtec. Sunfab Diode Gate can connect 5 double acting or 10 single acting hydraulic functions to the By-Pass or electrical Savtec.

Technical data:

Input cables	10
Output cable	1
Cable section	1,5 mm ²
Cable length	2 m
No. of diodes	10
Diod capacity	24 V 3A
Enclosure class	IP 68

Denomination

Art. no.

Diod Gate

91362

Circuit diagram for Sunfab Diode Gate:

The magnets 01-06 belong to the control valve and is activated when any of the switches are actuated.

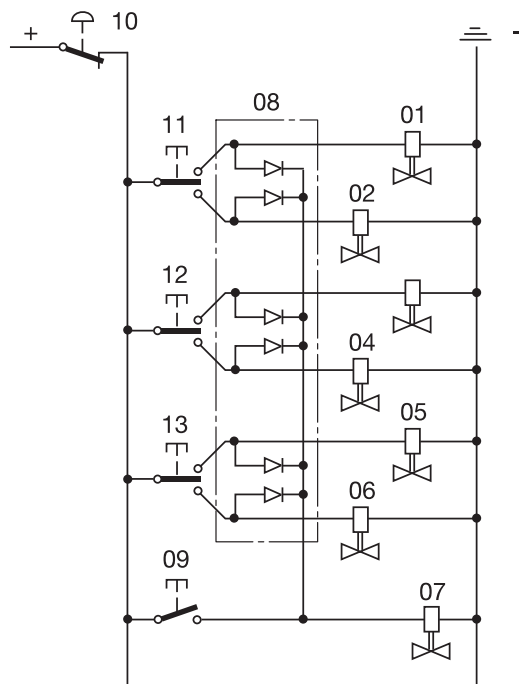
At the same time the diode gate deflects current to the By-Pass valve's coil 07 alternative Savtec if it is this located on the pump.

The diode acts as a "check valve" so the current can only flow in the direction of the arrow.

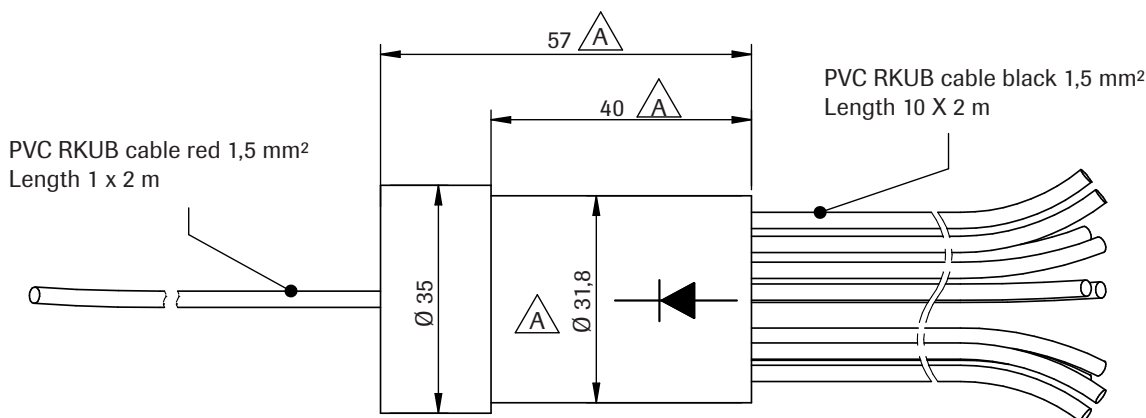
Sunfab Diode Gate can control 10 functions. Should additional functions be required, supplement the system with more diode gates.

The Diode Gates have a very high enclosure class against both water and dust (IP 68).

More detailed information on connecting the Diode Gate together with the By-Pass or electrical Savtec can be found in separate installation guides.



Wiring diagram of Sunfab Diode Gate



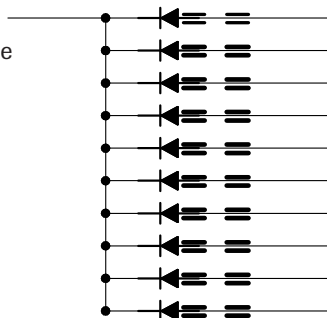
Clean all cable ends approx 5 mm

No uninsulated parts shall be visible outside the moulding

Diodes and solders cast in the tube

Protection class IP 68 DIN 40050

Check the diodes as there is no contact between them



24 V
10 X 800W / 3A

Sunfab reserves the right to make changes in design and dimensions without notice. Printing and typesetting errors reserved.
© Copyright 2015 Sunfab Hydraulics AB. All Rights Reserved.