



SCPD 56/26 DIN is a dual flow pump with two separate flows of different sizes.

SCPD 56/26 DIN provides 3.42 and 1.59 cu in/rev and supports a maximum working pressure of 5800 psi. It can effectively be directly mounted on gear boxes equipped with engageable and disengageable power take-offs. It is speed optimized and therefore supplied for either left (L) or right (R) rotation direction.

Other advantages:

- High self-priming speed
- Constant low noise level
- Long life due to high demands on material selection, such as bearings, seals, etc.
- O-rings on all contact surfaces as well as double shaft seals

Versions, main data

Example

SC	PD	-	56/26	L	-	V	-	DL4	-	L35	-	S0	S	-	2	00
Line	1		2	3		4		5		6		7	8		9	10

Line	SC	Sunfab Compact, bent-axis design
------	----	----------------------------------

1. Type	PD	Dual flow pump
---------	----	----------------

2. Displacement	56/26
-----------------	-------

3. Direction of rotation	L	Left
	R	Right

4. Sealing	V	FPM
------------	---	-----

5. Mounting flange	DL4	DIN 4-h (ISO 76530)
--------------------	-----	---------------------

6. Shaft	L35	DIN 5462/ISO14
----------	-----	----------------

7. Connection cover	S0	Sunfab standard
---------------------	----	-----------------

8. Connections	S	Sunfab standard
----------------	---	-----------------

9. Additional	2	Optimised
---------------	---	-----------

10. Accessories	00	No accessories available
-----------------	----	--------------------------

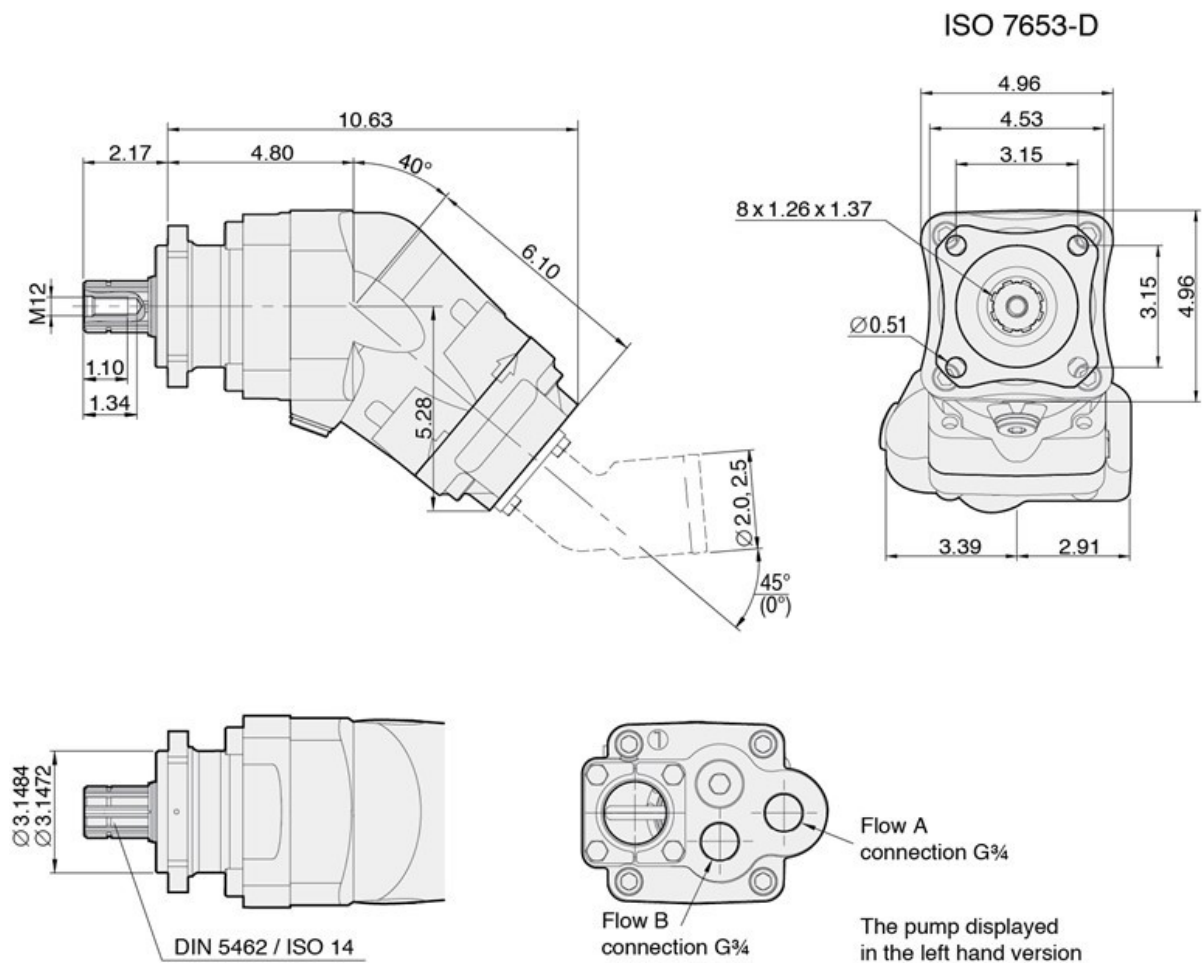
X = Standard, preferred

(X) = Available, option

O = Contact Sunfab

SCPD 56/26 DIN

Theoretical oil flow A+B at pump speed	rpm	GPM		
	600	8.9 + 4.1 = 13.0		
	1000	14.8 + 6.9 = 21.7		
	1200	17.8 + 8.3 = 26.1		
	1500	22.2 + 10.3 = 32.5		
1800	26.6 + 12.4 = 39.0			
Displacement A+B	cu in/rev	3.42 + 1.59		
Max pump speed	rpm	1850		
Max working pressure	psi	5800		
Weight	lb	39.7		
Tare-weight torque without valve	lb-ft	15.5		
Theoretical power at pressure and pump speed	rpm	2900 psi	4350 psi	5800 psi
	600	15.0 + 7.0 = 22.0 hp	22.5 + 10.5 = 33.0 hp	30.0 + 14.0 = 44.0 hp
	1200	30.0 + 14.0 = 44.0 hp	45.0 + 21.0 = 66.0 hp	60.0 + 28.0 = 88.0 hp
	1800	45.0 + 21.0 = 66.0 hp	67.5 + 31.5 = 99.0 hp	90.0 + 42.0 = 132 hp
Nominal torque on pump shaft at different pressures		2900 psi	4350 psi	5800 psi
		131 + 61.2 = 192 lb-ft	197 + 91.5 = 288 lb-ft	263 + 122 = 384 lb-ft
	Direction of rotation	Left (L) or Right (R)		





WARNING!

When the pump is running:

1. Do not touch the pressure hose
2. Watch out for rotating parts
3. The pump and hoses may be hot

Sunfab reserves the right to make changes in design and dimensions without notice. Printing and typesetting errors reserved.

© Copyright 2021 Sunfab Hydraulics AB. All Rights Reserved.