

With two separate flows and a directly mounted By-Pass valve, the Sunfab's SCPD 56/26 By-Pass DIN is the most flexible compact fixed flow pump on the market.

SCPD 56/26 DIN By-Pass is ideal for combination vehicles which require different flows and where there is a need to operate equipment while moving. The pump is primarily intended for engine-mounted power take-offs.

The constant engagement is made possible by the By-Pass valve, which immediately relieves the load on the pump and power take-off when oil is not required. The pressure drop of the By-Pass valve is very low, so its function is energy efficient.

Other advantages:

- The By-Pass valve can relieve the load from full operating pressure of 5800 psi, which allows emergency stop function
- The valve's 24 V solenoids have integrated electrical cables which meet protection class ADR

Versions, main data

Example

SC	PD	-	56/26	L	-	V	-	DL4	-	L35	-	S0	S	-	2	00
Line	1		2	3		4		5		6		7	8		9	10

Line	SC	Sunfab Compact, bent-axis design
------	----	----------------------------------

1. Type	PD	Dual flow pump
---------	----	----------------

2. Displacement	56/26
-----------------	-------

3. Direction of rotation	L	Left
	R	Right

4. Sealing	V	FPM
------------	---	-----

5. Mounting flange	DL4	DIN 4-h (ISO 76530)
--------------------	-----	---------------------

6. Shaft	L35	DIN 5462/ISO14
----------	-----	----------------

7. Connection cover	S0	Sunfab standard
---------------------	----	-----------------

8. Connections	S	Sunfab standard
----------------	---	-----------------

9. Additional	2	Optimised
---------------	---	-----------

10. Accessories	00	No accessories available
-----------------	----	--------------------------

Double by-pass valve Art. no 20536 is ordered seperately.

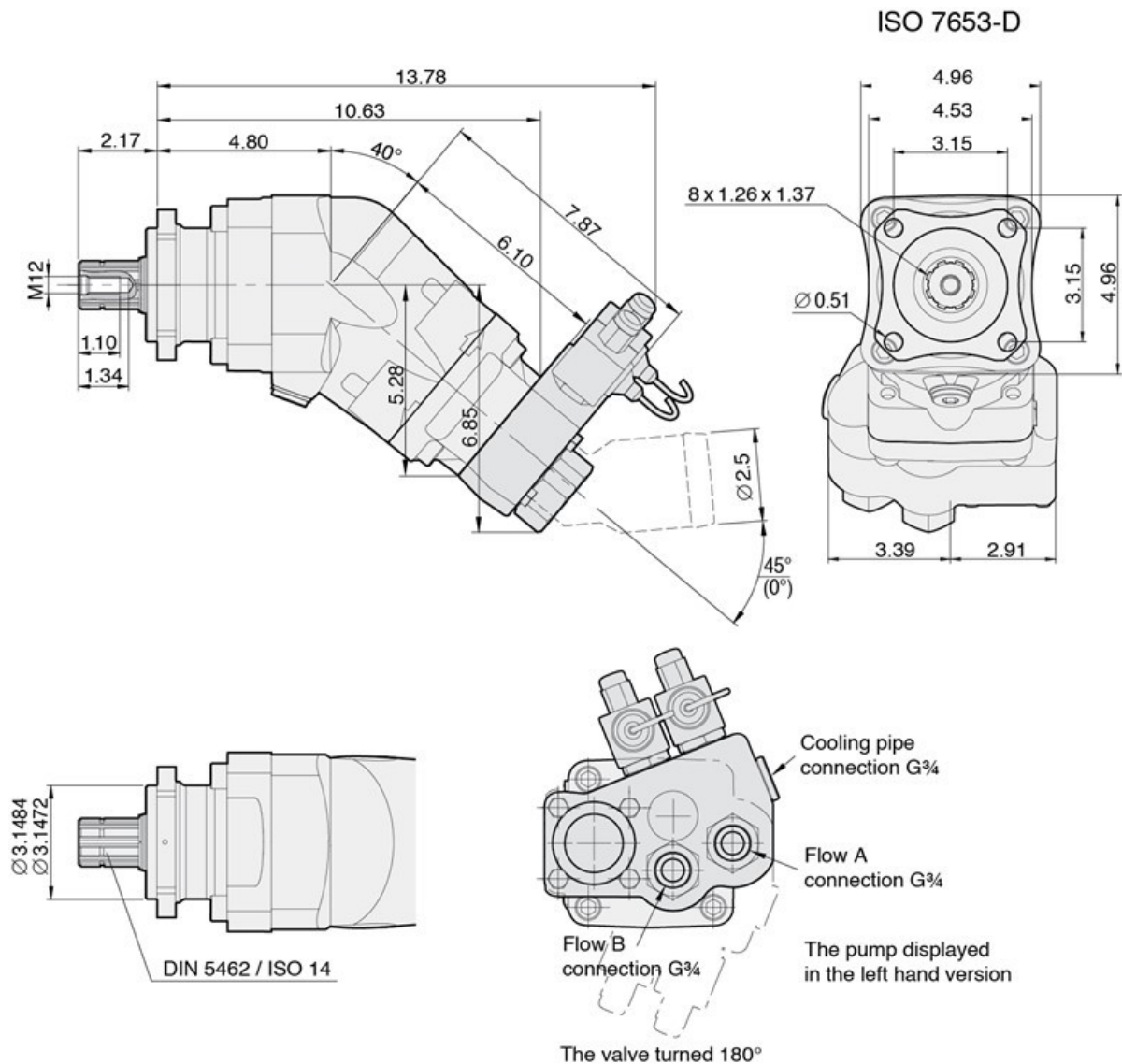
X = Standard, preferred

(X) = Available, option

O = Contact Sunfab

SCPD 56/26 DIN By-Pass

Theoretical oil flow A+B at pump speed	rpm	GPM		
	600	8.9 + 4.1 = 13.0		
	1000	14.8 + 6.9 = 21.7		
	1200	17.8 + 8.3 = 26.1		
	1500	22.2 + 10.3 = 32.5		
	1800	26.6 + 12.4 = 39.0		
Displacement A+B	cu in/rev	3.42 + 1.59		
Max pump speed A+B	rpm	1850		
Max pump speed A	rpm	1850		
Max pump speed B	rpm	2200		
Max pump speed, relieved	rpm	2700		
Max working pressure	psi	5800		
Weight without valve	lb	39.7		
Weight with valve	lb	49.6		
Tare-weight torque without valve	lb-ft	21.0		
Tare-weight torque with valve	lb-ft	18.7		
Nominal power at pressure and pump speed	rpm	2900 psi	4350 psi	5800 psi
	600	15.0 + 7.0 = 22.0 hp	22.5 + 10.5 = 33.0 hp	30.0 + 14.0 = 44.0 hp
	1200	30.0 + 14.0 = 44.0 hp	45.0 + 21.0 = 66.0 hp	60.0 + 28.0 = 88.0 hp
	1800	45.0 + 21.0 = 66.0 hp	67.5 + 31.5 = 99.0 hp	90.0 + 42.0 = 132 hp
Nominal torque on pump shaft at different pressures		2900 psi	4350 psi	5800 psi
		131 + 61.2 = 192 lb-ft	197 + 91.5 = 288 lb-ft	263 + 122 = 384 lb-ft
	Direction of rotation	Left (L) or Right (R)		





WARNING!

When the pump is running:

1. Do not touch the pressure hose
2. Watch out for rotating parts
3. The pump and hoses may be hot

Sunfab reserves the right to make changes in design and dimensions without notice. Printing and typesetting errors reserved.

© Copyright 2021 Sunfab Hydraulics AB. All Rights Reserved.