

SCPD 76/76 DIN is a dual flow pump with two separate flows of equal sizes.

SCPD 76/76 DIN gives a maximum flow of 33.7 + 33.7 = 67.4 GPM and supports a maximum working pressure of 5076 psi. It can effectively be directly mounted on gear boxes equipped with engageable and disengageable power take-offs.

SCPD 76/76 is a modern, compact pump, which meets the market's high demands on flow performance, pressure, efficiency and small installation dimensions.

It is speed optimized and therefore supplied for either left (L) or right (R) rotation direction.

Other advantages:

- Large displacement gives the possibility of low motor speeds and low noise levels.
- Long life due to high demands on material selection, such as bearings, seals, etc.
- O-rings on all contact surfaces as well as double shaft seals eliminate oil leakage from the pump and power takeoff.
- The market's highest displacement in relation to size.

Versions, main data

Example

SC	PD	-	76/76	L	-	N	-	DL4	-	L35	-	S0	S	-	2	00
Line	1		2	3		4		5		6		7	8		9	10

Line	SC	Sunfab Compact, bent-axis design
------	----	----------------------------------

1. Type	PD	Dual flow pump
---------	----	----------------

2. Displacement		76/76
-----------------	--	-------

3. Direction of rotation	L	Left
	R	Right

4. Sealing	N	Nitrile
------------	---	---------

5. Mounting flange	DL4	DIN 4-h (ISO 7653-D)
--------------------	-----	----------------------

6. Shaft	L35	DIN 5462/ISO 14
----------	-----	-----------------

7. Connection cover	S0	Sunfab standard
---------------------	----	-----------------

8. Connections	S	Sunfab standard
----------------	---	-----------------

9. Additional	2	Optimised
---------------	---	-----------

10. Accessories	00	No accessories available
-----------------	----	--------------------------

X = Standard, preferred

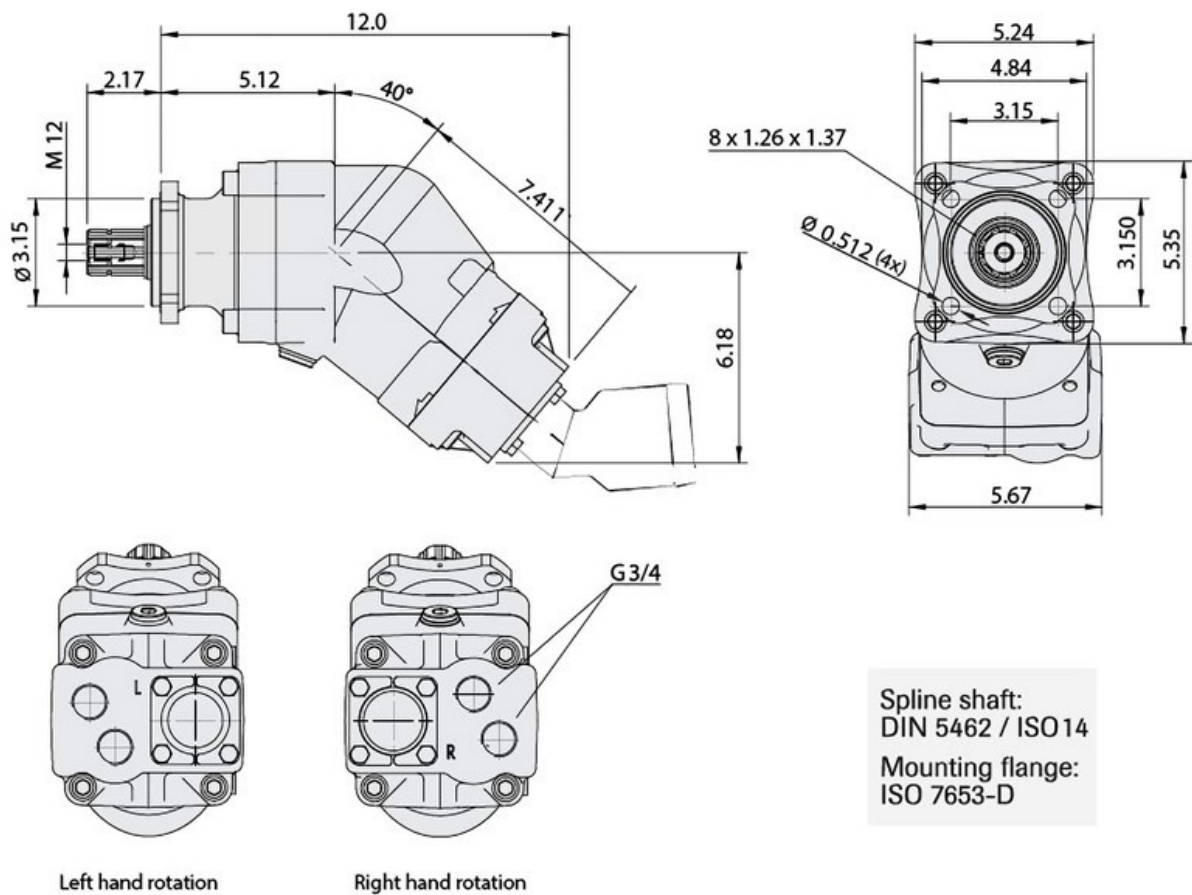
(X) = Available, option

O = Contact Sunfab

SCPD 76/76 DIN

Theoretical oil flow A+B at pump speed			GPM		
	rpm	1000*	19.8 + 19.8 = 39.6		
		1500	29.7 + 29.7 = 59.4		
Displacement A+B	cu in/rev	4.58 + 4.58			
Max pump speed continuous	rpm	1500			
limited		1700			
Max working pressure	psi	5076			
Weight	lb	51.1			
Tare-weight torque (M)	lb-ft	25.4			
Theoretical power at pressure and pump speed			2901 psi	3526 psi	5076 psi
	rpm	1000*	33.5 + 33.5 = 67.0 hp	42.0 + 42.0 = 83.9 hp	58.7 + 58.7 = 117 hp
		1500	50.3 + 50.3 = 101 hp	62.9 + 62.9 = 126 hp	88.0 + 88.0 = 176 hp
Theoretical torque on pump shaft at different pressures			2901 psi	3526 psi	5076 psi
			176 + 176 = 353 lb-ft	220 + 220 = 440 lb-ft	308 + 308 = 617 lb-ft
Direction of rotation	Left (L) or Right (R)				

*We recommend a minimum pump speed of 1000 rpm to obtain optimal performance, efficiency and life-span of the pump.



Splined shaft:
DIN 5462 / ISO 14
Mounting flange:
ISO 7653-D



WARNING!

When the pump is running:

1. Do not touch the pressure hose
2. Watch out for rotating parts
3. The pump and hoses may be hot

Sunfab reserves the right to make changes in design and dimensions without notice. Printing and typesetting errors reserved.

© Copyright 2021 Sunfab Hydraulics AB. All Rights Reserved.