



SAP 012-108 SAE is a series of light weight casing piston pumps with a fixed displacement for demanding mobile hydraulics.

SAP 012-108 SAE covers the displacement range 0.77-6.59 cu in/rev. at a maximum pressure up to 5800psi. It is a modern, compact pump which meets the market's high demands on flow performance, pressure, efficiency and small installation dimensions. The pump is either mounted directly on the power take-off or on a frame bracket via an intermediate shaft.

Other advantages:

- Light weight metal casing design
- Smooth operation over the entire speed range
- Long life due to high demands on material selection, such as bearings, seals, etc
- Corrosion free light metal-housing
- Less heat generation due to better ability to dissipate heat through housing

Versions, main data

Example

SA	P	-	064	L	-	N	-	SB4	-	B13	-	S0	S	-	0	00
Line	1		2	3		4		5		6		7	8		9	10

Line

SA	Sunfab Aluminium
P	Pump

2. Displacement

012	017	025	034	040	047	056	064	084	108
-----	-----	-----	-----	-----	-----	-----	-----	-----	-----

3. Direction of rotation

R	Right
L	Left

4. Sealing

N	Nitrile
V	HNBR *

* Only available for 040-108

5. Mounting flange

		012	017	025	034	040	047	056	064	084	108
SB4	SAE B4	X	X	X	X	X	X	X	X	-	-
SC4	SAE C4	-	-	-	-	X	X	X	X	X*	X*

*SAP 084 & 108 with adapter flange for SC4.

6. Shaft

		012	017	025	034	040	047	056	064	084	108
B13*	SAE B 13t	X	X	X	X	X	X	X	X	-	-
C14	SAE C 14t	-	-	-	-	X	X	X	X	X	X

* Only with SB4 mounting flange

- = Not available

X = Standard, preferred

7. Connection cover

S0	40° Sunfab standard
----	---------------------

8. Connections

S	Sunfab standard
---	-----------------

9. Additional

0	-
---	---

10. Accessories

00	No accessories available
----	--------------------------

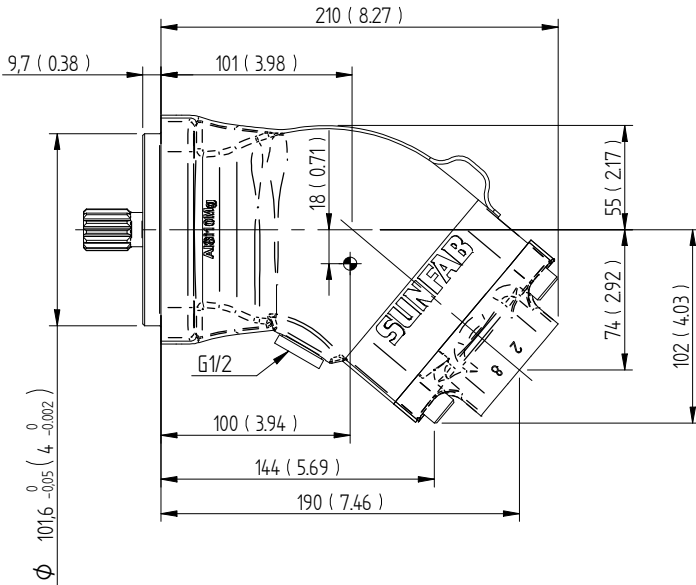
SAP 012-108 SAE

		012	017	025	034	040	040	047	047	056	056	064	064	084	108	
		SAE	SAE	SAE	SAE	SAE	SAE	SAE	SAE	SAE	SAE	SAE	SAE	SAE	SAE	
		B4	B4	B4	B4	B4	C4	B4	C4	B4	C4	B4	C4	C4	C4	
Theoretical oil flow at pump speed		GPM														
	rpm	500	1.7	2.2	3.4	4.5	5.4	5.4	6.2	6.2	7.5	7.5	8.4	8.4	11.0	14.3
		1000	3.3	4.5	6.7	9.0	10.9	10.9	12.4	12.4	15.0	15.0	16.8	16.8	22.1	28.5
		1500	5.0	6.7	10.1	13.6	16.3	16.3	18.7	18.7	22.5	22.5	25.2	25.2	33.1	42.8
Displacement	cu in/rev	0.77	1.04	1.55	2.09	2.51	2.51	2.87	2.87	3.46	3.46	3.88	3.88	5.10	6.59	
Max pump speed																
continuous	rpm	2300	2300	2300	2300	1900	1900	1900	1900	1900	1900	1900	1900	1900	1600	1600
limited		3000	3000	3000	3000	2500	2500	2500	2500	2500	2500	2500	2500	2500	2100	2100
Max working pressure	psi	5800	5800	5800	5800	5800	5800	5800	5800	5800	5800	5800	5075	5800	5800	5800
Weight	lb	16.1	16.1	16.5	16.3	21.4	22.9	21.4	22.9	20.3	21.8	21.2	22.7	35.7	35.0	
Tare-weight torque (M)	lb-ft	5.3	5.3	5.5	5.4	7.5	8.0	7.5	8.0	7.2	7.7	7.4	8.0	16.4	16.2	
Direction of rotation	Left (L) or Right (R)															

Dimensions SAP 012-034 SAE

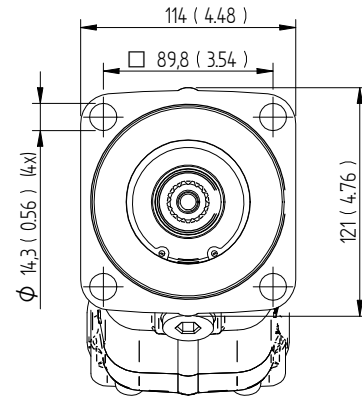
Millimeter (inch)

SB4 SAE J744

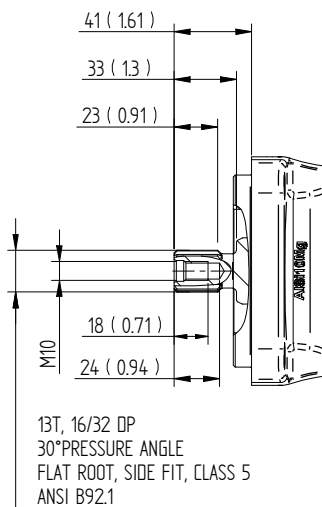


Center of gravity

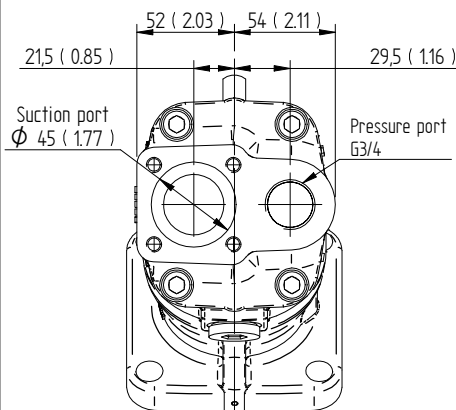
SB4 SAE J744, ID. CODE: 101-4 (B)



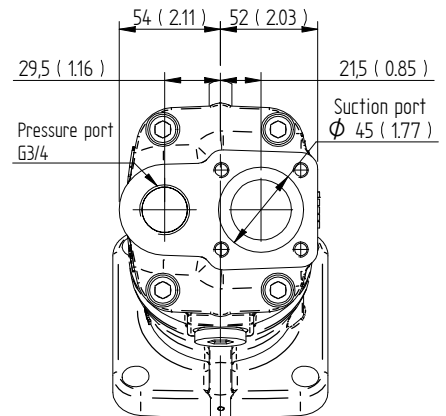
B13 SAE J744, ID. CODE: 22-4 (B)



S0S LEFT ROTATION (L)

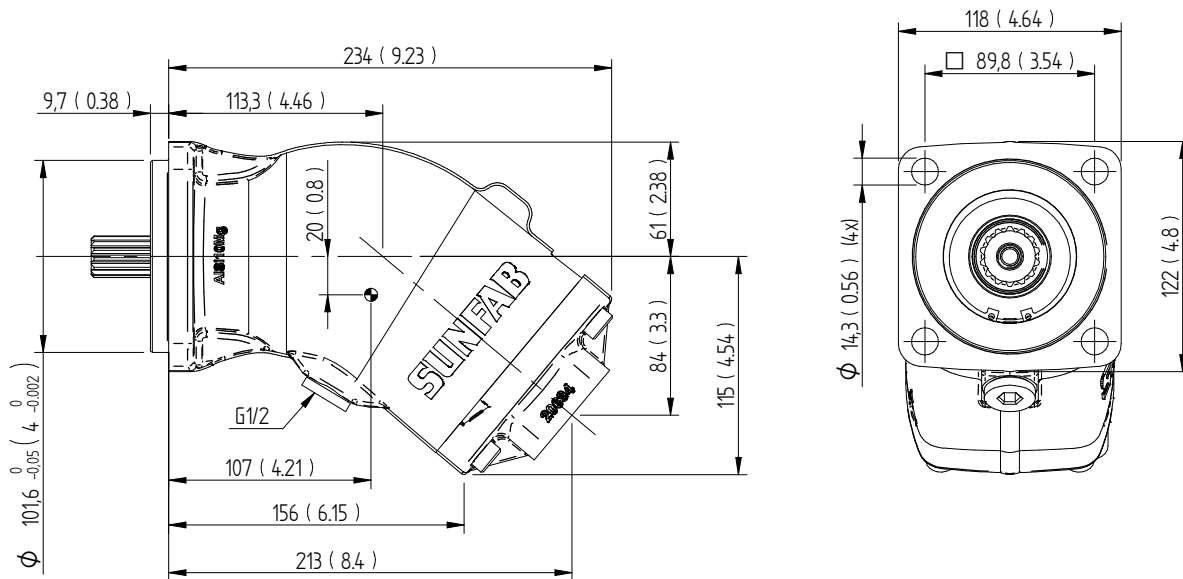


S0S RIGHT ROTATION (R)



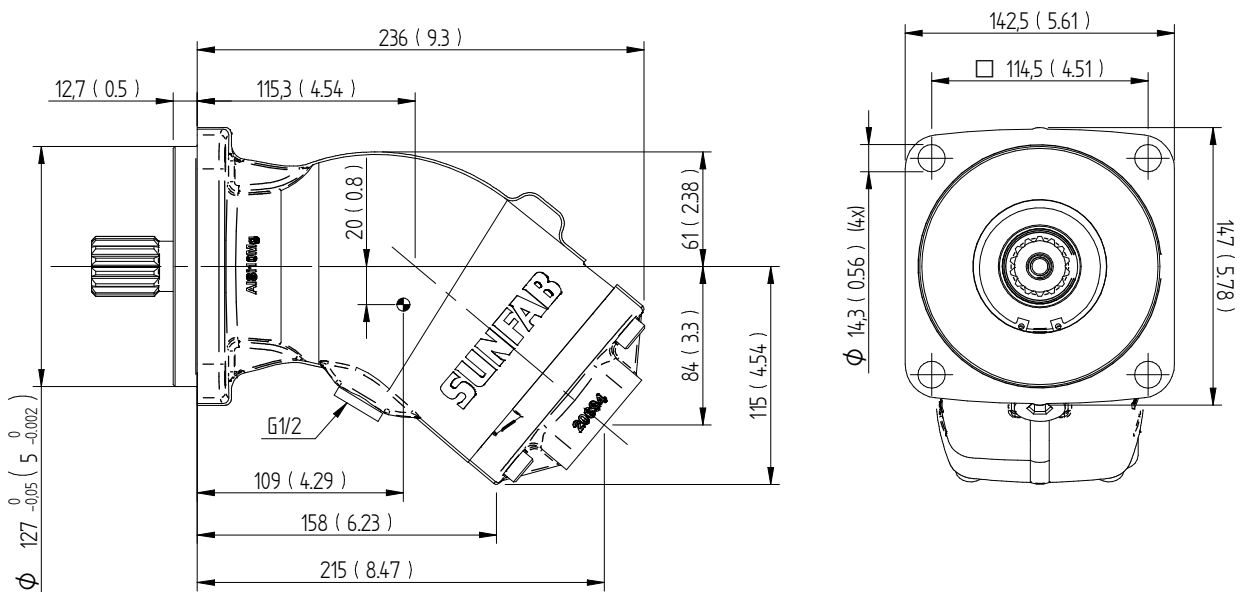
Dimensions SAP 040-064 SAE

SB4 SAE J744, ID. CODE: 101-4 (B)



Center of gravity

SC4 SAE J744, ID. CODE: 127-4 (C)



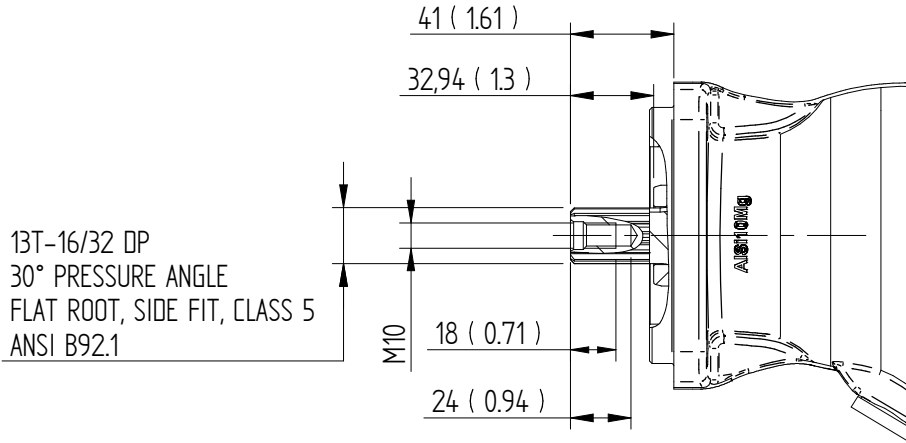
Center of gravity

Dimensions SAP 040-064 SAE

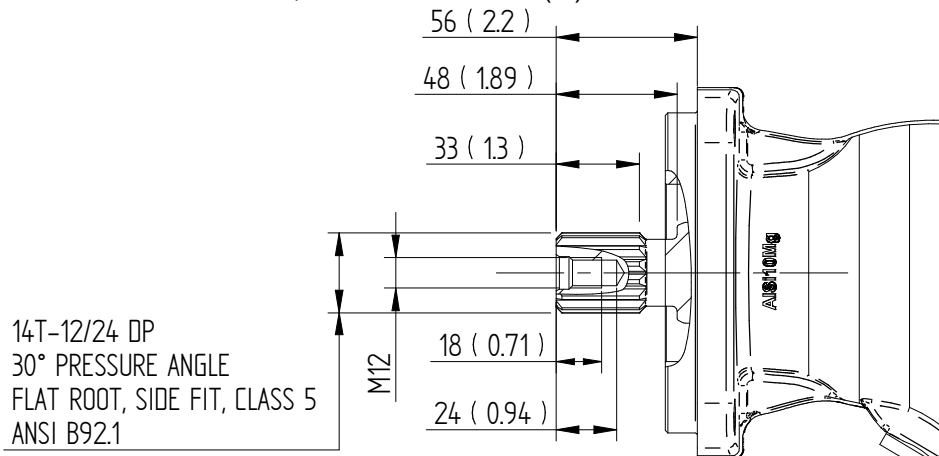
Flange & Connection cover

Millimeter (inch)

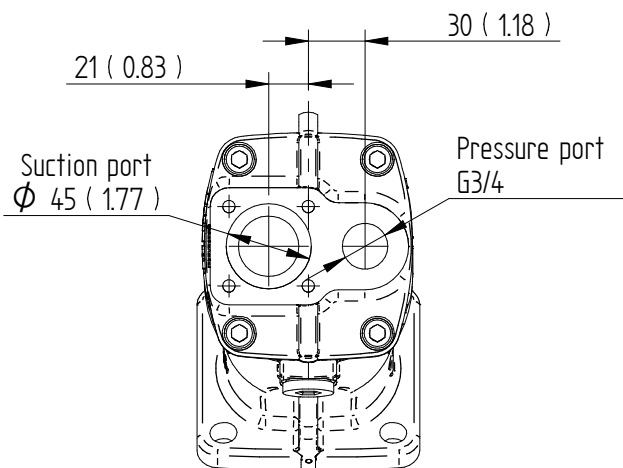
SB4 B13 SAE J744, ID. CODE: 22-4 (B)



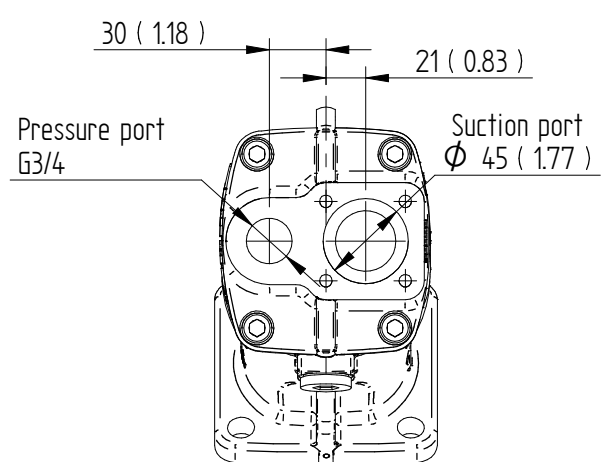
SC4 C14 SAE J744, ID. CODE: 32-4 (C)



S0S LEFT ROTATION (L)

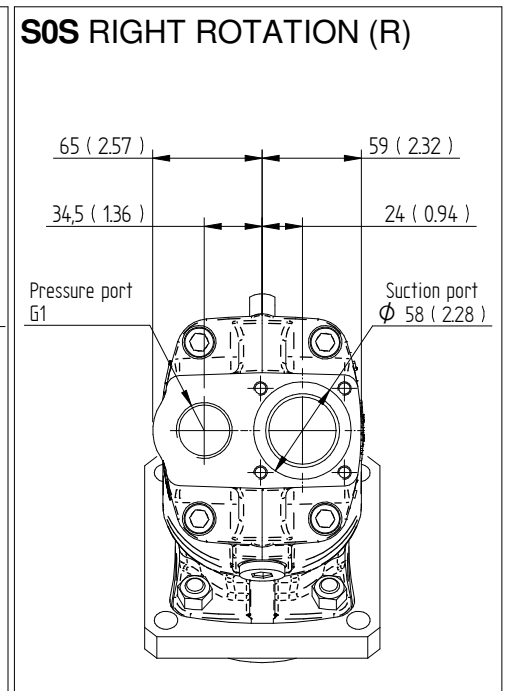
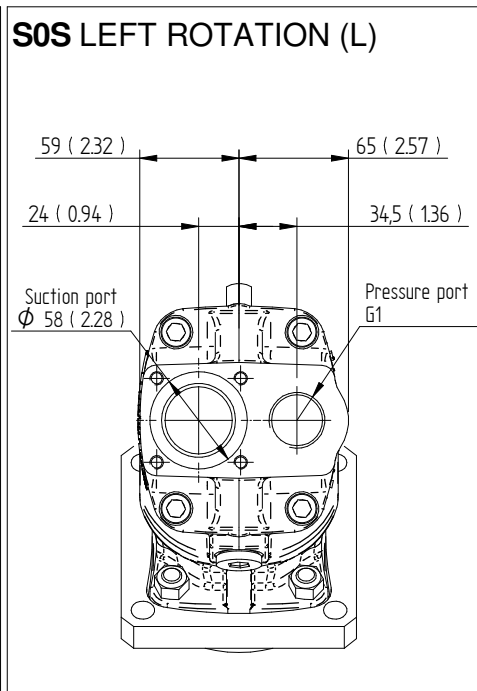
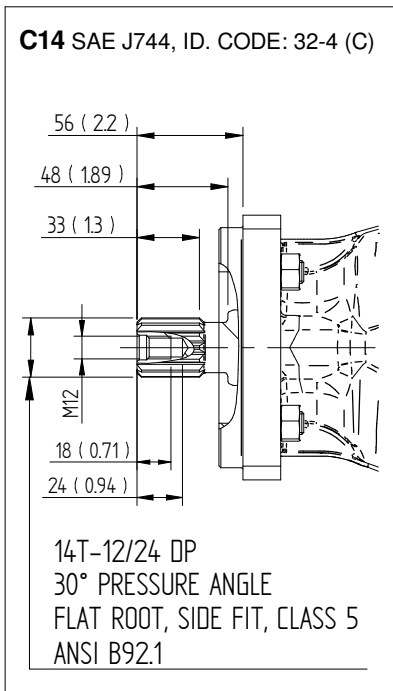
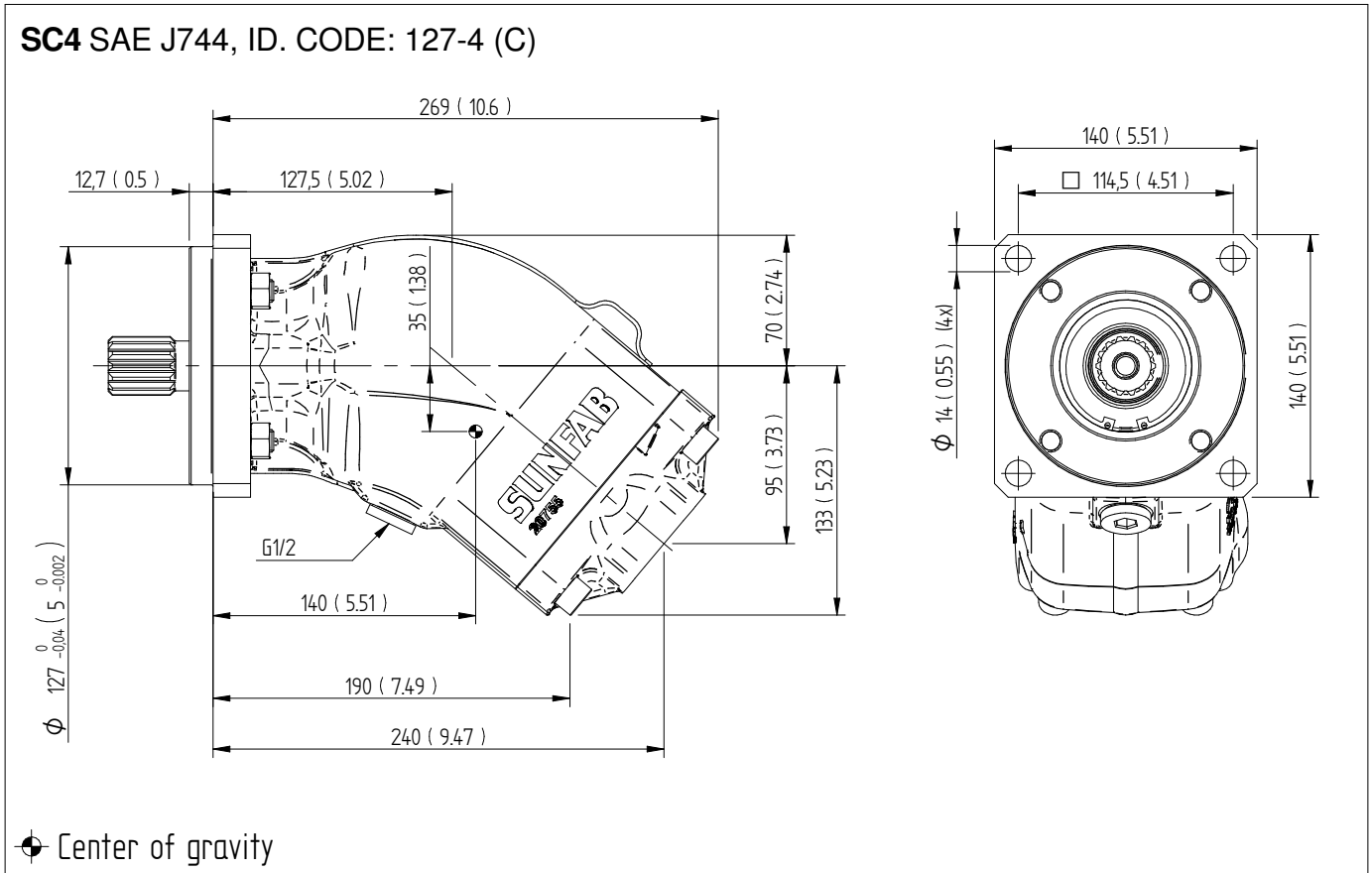


S0S RIGHT ROTATION (R)



Dimensions SAP 084-108 SAE

Millimeter (inch)





WARNING!

When the pump is running:

1. Do not touch the pressure hose
2. Watch out for rotating parts
3. The pump and hoses may be hot

Sunfab reserves the right to make changes in design and dimensions without notice. Printing and typesetting errors reserved.

© Copyright 2021 Sunfab Hydraulics AB. All Rights Reserved.