



SAP 012-108 SAE is a series of light weight casing piston pumps with a fixed displacement for demanding mobile hydraulics.

SAP 012-108 SAE covers the displacement range 12-108 cm³/rev. at a maximum pressure up to 400 bar. It is a modern, compact pump which meets the market's high demands on flow performance, pressure, efficiency and small installation dimensions. The pump is either mounted directly on the power take-off or on a frame bracket via an intermediate shaft.

Other advantages:

- Light weight metal casing design
- Smooth operation over the entire speed range
- Long life due to high demands on material selection, such as bearings, seals, etc
- Corrosion free light metal-housing
- Less heat generation due to better ability to dissipate heat through housing

Versions, main data

Example

SA	P	-	064	L	-	N	-	SB4	-	B13	-	S0	S	-	0	00
Line	1		2	3		4		5		6		7	8		9	10

Line

SA	Sunfab Aluminium
P	Pump

2. Displacement

012	017	025	034	040	047	056	064	084	108
-----	-----	-----	-----	-----	-----	-----	-----	-----	-----

3. Direction of rotation

R	Right
L	Left

4. Shaft seal

N	Nitrile
V	HNBR *

* *Only available for 040-108

5. Mounting flange

		012	017	025	034	040	047	056	064	084	108
SB4	SAE B4	X	X	X	X	X	X	X	X	-	-
SC4	SAE C4	-	-	-	-	X	X	X	X	X*	X*

*SAP 084 & 108 with adapter flange for SC4.

6. Shaft

		012	017	025	034	040	047	056	064	084	108
B13*	SAE B 13t	X	X	X	X	X	X	X	X	-	-
C14	SAE C 14t	-	-	-	-	X	X	X	X	X	X

* Only with SB4 mounting flange

- = Not available

X = Standard, preferred

7. Connection cover

S0	40° Sunfab standard
----	---------------------

8. Connections

S	Sunfab standard
---	-----------------

9. Additional

0	-
---	---

10. Accessories

00	No accessories available
----	--------------------------

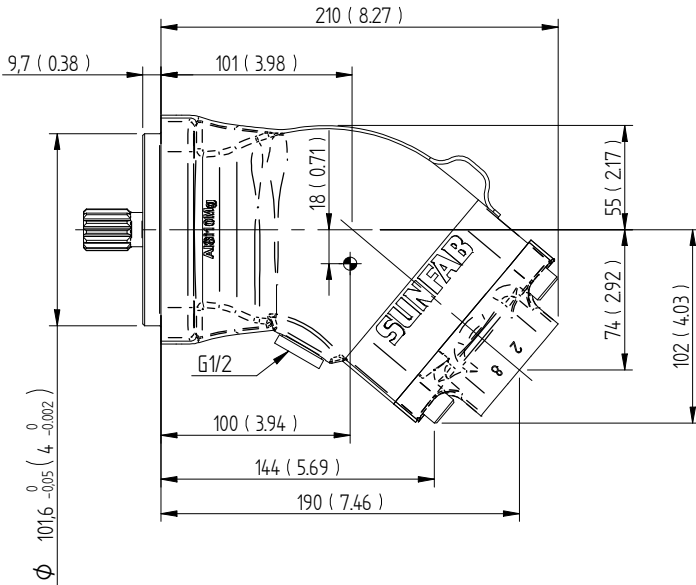
SAP 012-108 SAE

		012	017	025	034	040	040	047	047	056	056	064	064	084	108	
		SAE	SAE	SAE	SAE	SAE	SAE	SAE	SAE	SAE	SAE	SAE	SAE	SAE	SAE	
		B4	B4	B4	B4	B4	C4	B4	C4	B4	C4	B4	C4	C4	C4	
Theoretical oil flow l/min at pump speed	rpm	500	6	9	13	17	21	21	24	24	28	28	32	32	42	54
		1000	13	17	25	34	41	41	47	47	57	57	64	64	84	108
		1500	19	26	38	51	62	62	71	71	85	85	95	95	125	162
Displacement	cm ³ /rev	12.6	17.0	25.4	34.2	41.2	41.2	47.1	47.1	56.7	56.7	63.5	63.5	83.6	108.0	
Max pump speed																
<i>continuous</i>	rpm	2300	2300	2300	2300	1900	1900	1900	1900	1900	1900	1900	1900	1600	1600	
<i>intermittent</i>		3000	3000	3000	3000	2500	2500	2500	2500	2500	2500	2500	2500	2100	2100	
Max working pressure	bar	400	400	400	400	400	400	400	400	400	400	350	400	400	400	
Weight	kg	7.3	7.3	7.5	7.4	9.7	10.4	9.7	10.4	9.2	9.9	9.6	10.3	16.2	15.9	
Tare-weight torque (M)	Nm	7.2	7.2	7.4	7.3	10.2	10.9	10.2	10.9	9.7	10.4	10.1	10.8	22.3	21.9	
Direction of rotation	Left (L) or Right (R)															

Dimensions SAP 012-034 SAE

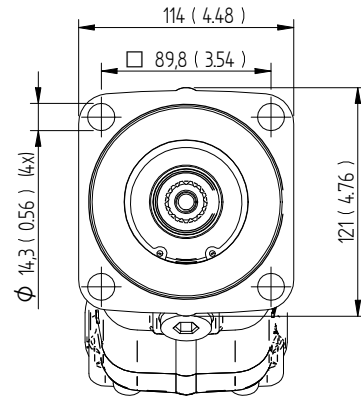
Millimeter (inch)

SB4 SAE J744

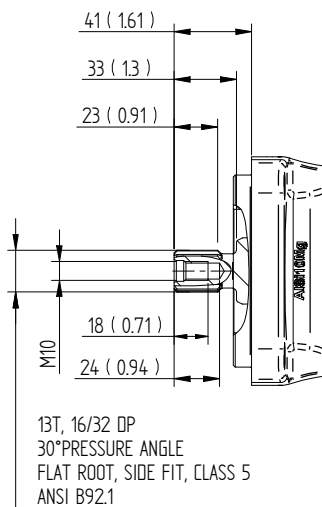


Center of gravity

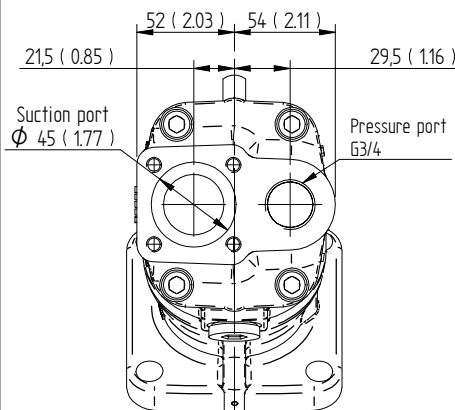
SB4 SAE J744, ID. CODE: 101-4 (B)



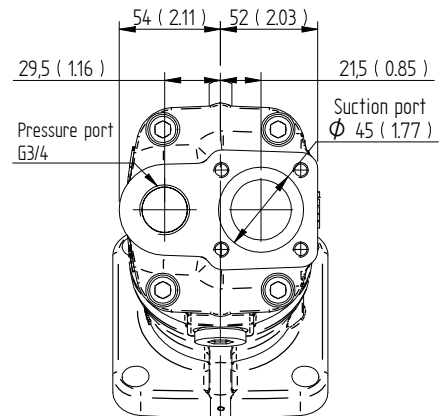
B13 SAE J744, ID. CODE: 22-4 (B)



S0S LEFT ROTATION (L)

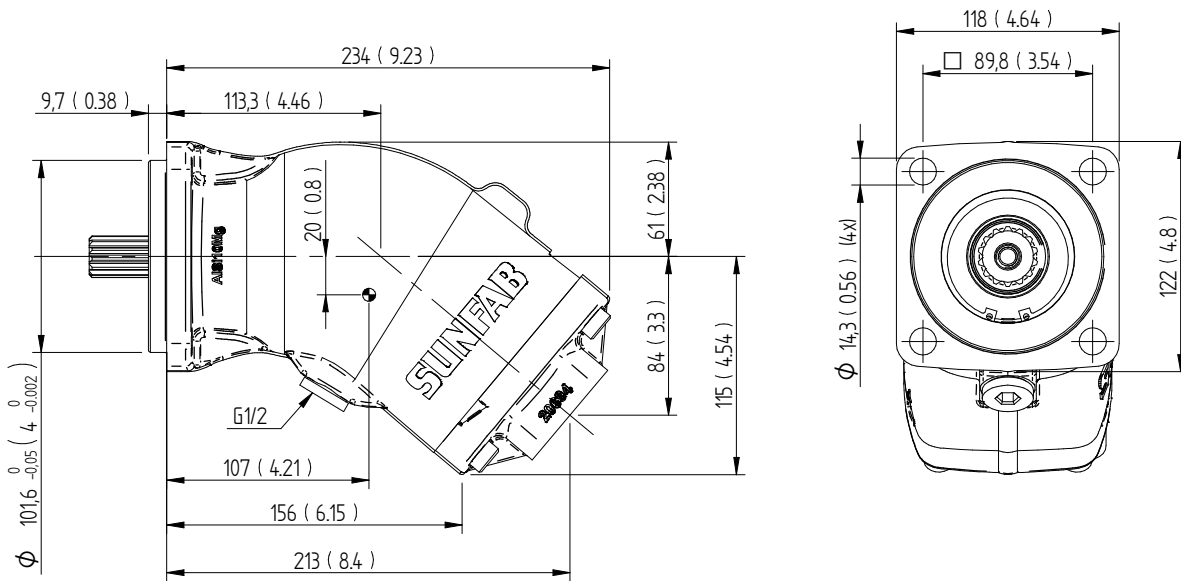


S0S RIGHT ROTATION (R)



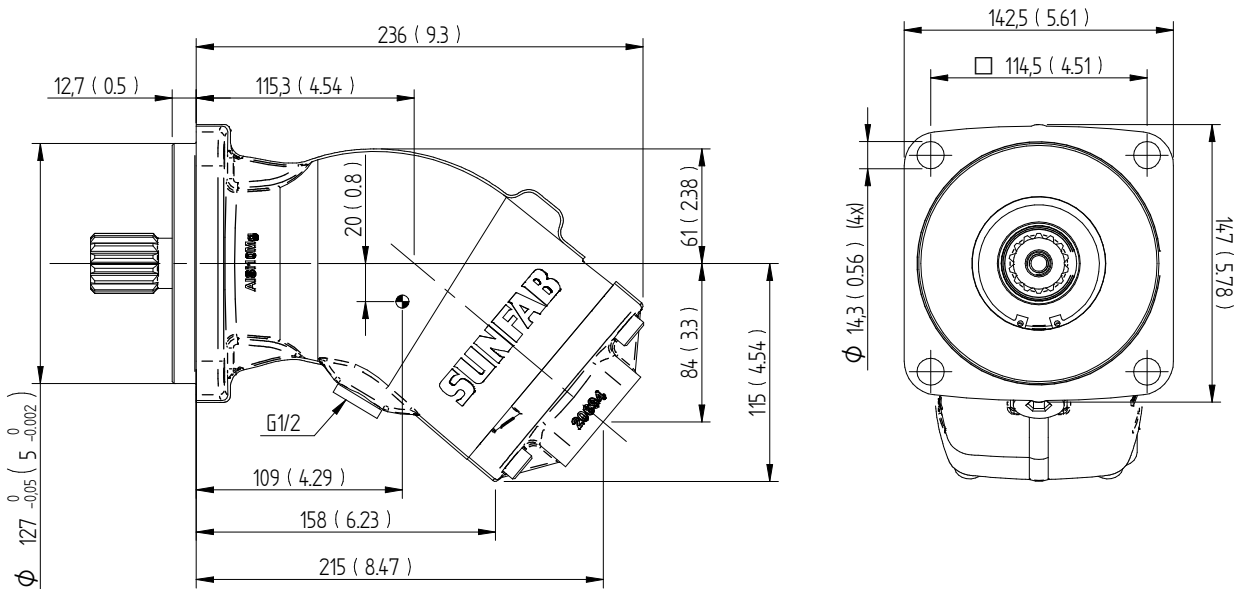
Dimensions SAP 040-064 SAE

SB4 SAE J744, ID. CODE: 101-4 (B)



Center of gravity

SC4 SAE J744, ID. CODE: 127-4 (C)



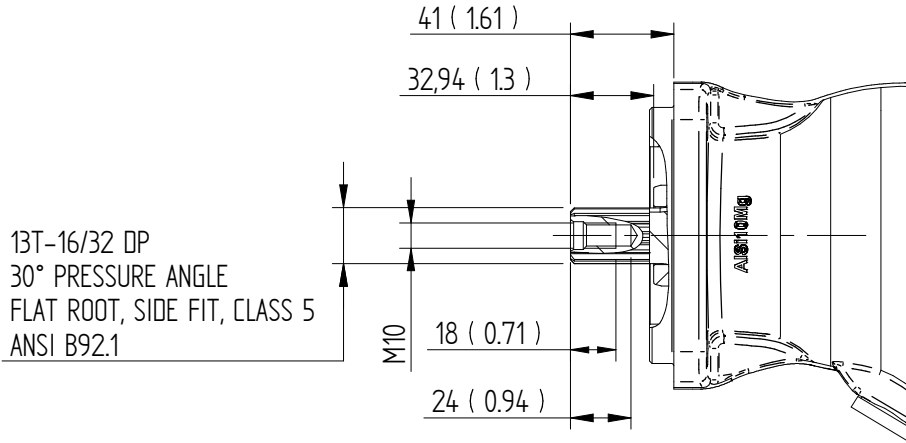
Center of gravity

Dimensions SAP 040-064 SAE

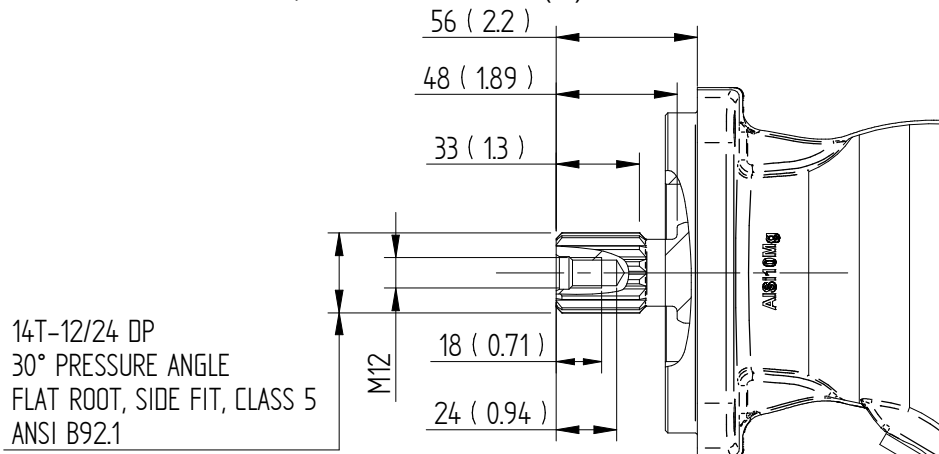
Flange & Connection cover

Millimeter (inch)

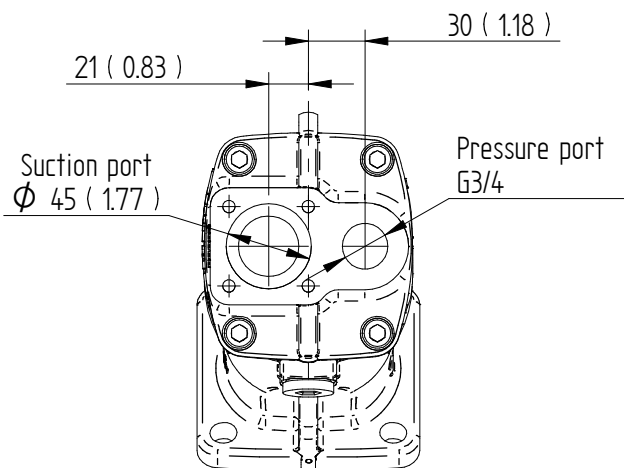
SB4 B13 SAE J744, ID. CODE: 22-4 (B)



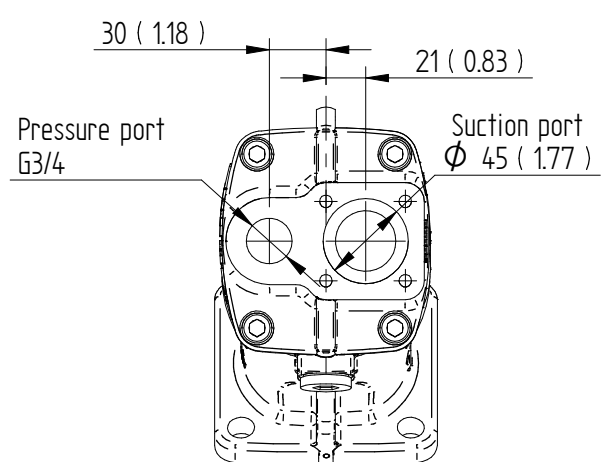
SC4 C14 SAE J744, ID. CODE: 32-4 (C)



S0S LEFT ROTATION (L)

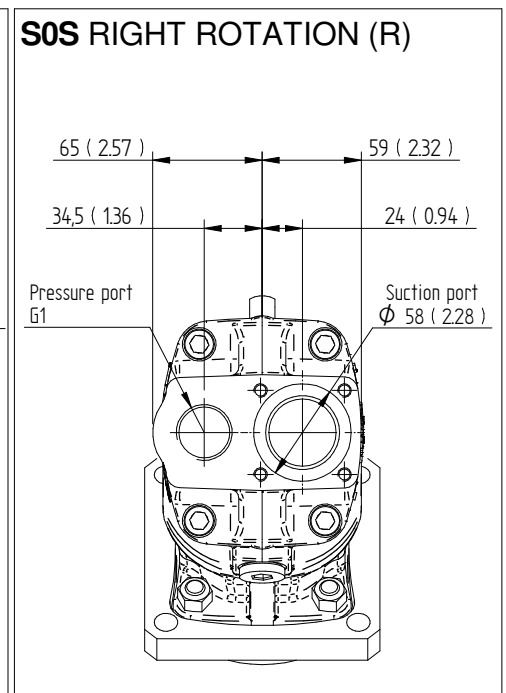
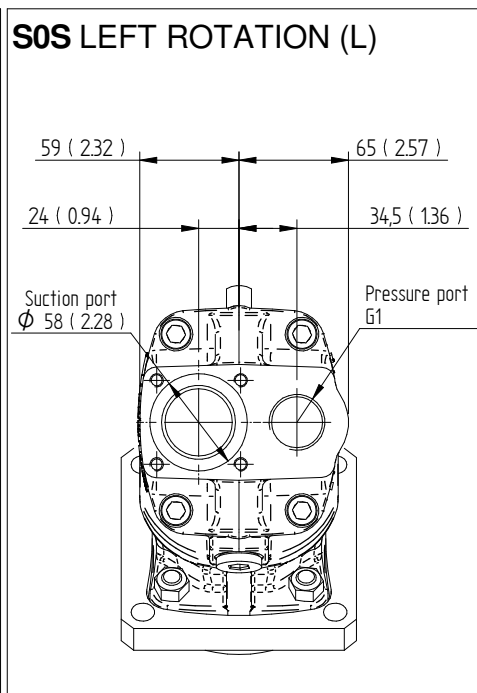
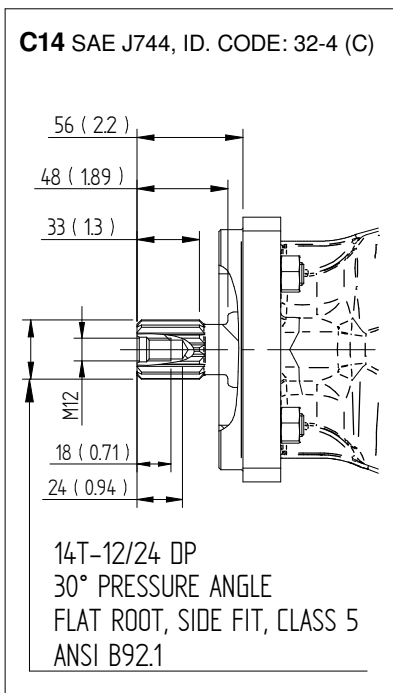
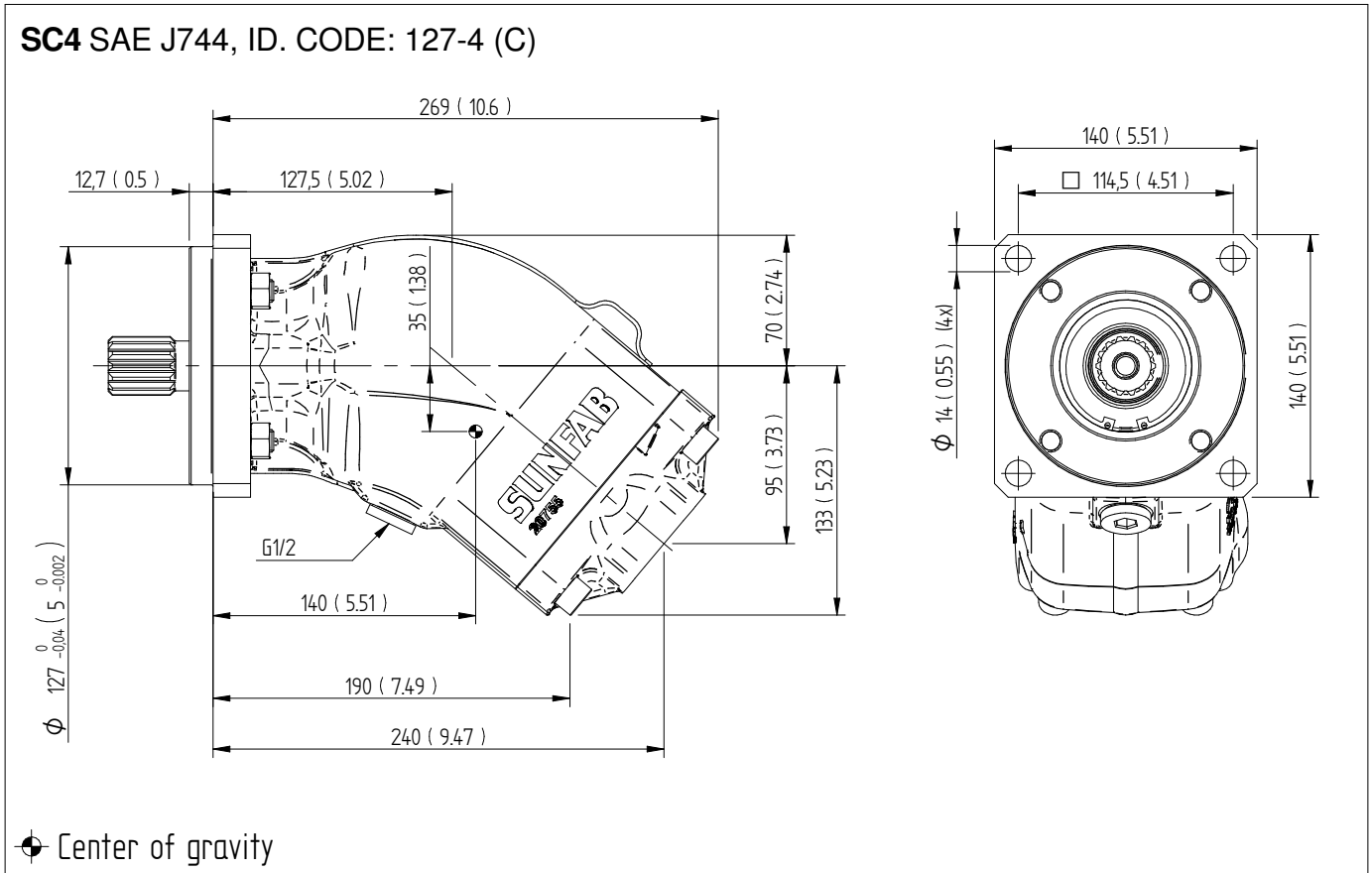


S0S RIGHT ROTATION (R)



Dimensions SAP 084-108 SAE

Millimeter (inch)





WARNING!

When the pump is running:

1. Do not touch the pressure hose
2. Watch out for rotating parts
3. The pump and hoses may be hot

Sunfab reserves the right to make changes in design and dimensions without notice. Printing and typesetting errors reserved.

© Copyright 2022 Sunfab Hydraulics AB. All Rights Reserved.