



SAP/SAPT 012-130 DIN is a series of light weight casing piston pumps with a fixed displacement for demanding mobile hydraulics.

SAP 012-108 DIN covers the displacement range 12-108 cm³/rev. at a maximum pressure of 400 bar. It is a modern, compact pump which meets the market's high demands on flow performance, pressure, efficiency and small installation dimensions. The pump is either mounted directly on the power take-off or on a frame bracket via an intermediate shaft.

SAPT 090, 130 is an addition to the SAP series that supports larger flows and pressure up to 300 bar. Ideal for applications that require both a high flow and a high working pressure.

Other advantages:

- Light weight metal casing design
- Smooth operation over the entire speed range
- Long life due to high demands on material selection, such as bearings, seals, etc
- Corrosion free light metal-housing
- Less heat generation due to better ability to dissipate heat through housing

Versions, main data

Example

| | | | | | | | | | | | | | | | | |
|------|---|---|-----|---|---|---|---|-----|---|-----|---|----|---|---|---|----|
| SA | P | - | 084 | L | - | N | - | DL4 | - | L35 | - | S0 | S | - | 0 | 00 |
| Line | 1 | | 2 | 3 | | 4 | | 5 | | 6 | | 7 | 8 | | 9 | 10 |

| | |
|------|------------------|
| Line | |
| SA | Sunfab Aluminium |

| | |
|---------|-------------|
| 1. Type | |
| P | Pump |
| PT* | Tipper pump |

*Only available in 090 and 130

| | |
|---|--|
| 2. Displacement | |
| 012 017 025 034 040 047 056 064 084 090* 108 130* | |

*Only available as SAPT

| | |
|--------------------------|-------|
| 3. Direction of rotation | |
| R | Right |
| L | Left |

| | |
|---------------|---------|
| 4. Shaft seal | |
| N | Nitrile |
| V* | HNBR |

* Can withstand higher temperature, e.g. on engine PTO. Only available for 040-084 & 108.

| | |
|--------------------|---------------------|
| 5. Mounting flange | |
| DL4 | DIN 4-h (ISO 7653D) |

| | |
|----------|--------------------------|
| 6. Shaft | |
| L35 | DIN 5462 / ISO 14 |
| H35* | DIN 5462 / ISO 14 Ø 8.15 |

*Not available on SAPT

| | |
|---------------------|---------------------|
| 7. Connection cover | |
| S0 | 40° Sunfab standard |

| | |
|----------------|-----------------|
| 8. Connections | |
| S | Sunfab standard |

| | |
|---------------|---|
| 9. Additional | |
| 0 | - |

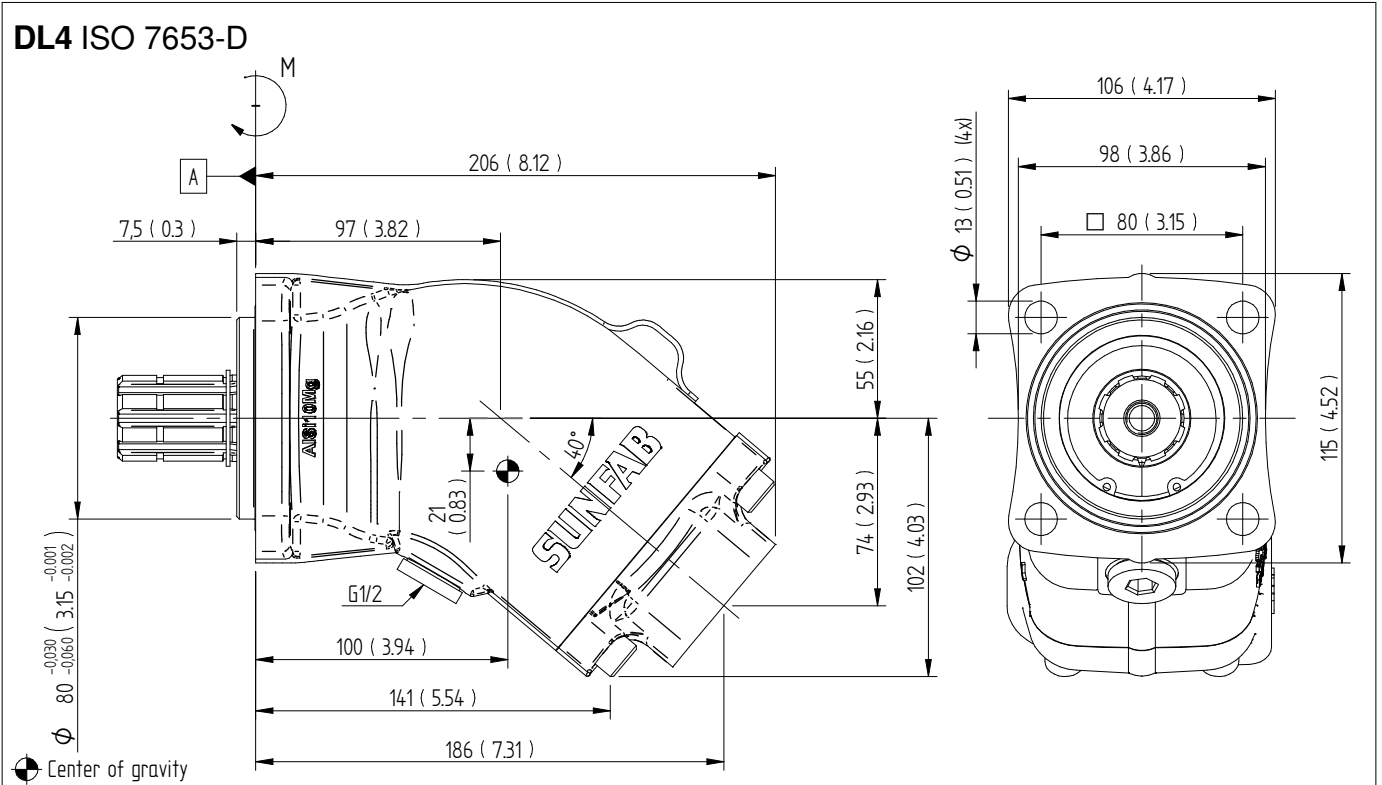
| | |
|-----------------|--------------------------|
| 10. Accessories | |
| 00 | No accessories available |

| SAP/SAPT 012-130 DIN | | 012 | 017 | 025 | 034 | 040 | 047 | 056 | 064 | 084 | 090* | 108 | 130* | |
|---|-----------------------|------|------|------|------|------|------|------|------|------|------|-------|-------|-----|
| Theoretical oil flow l/min at pump speed | | | | | | | | | | | | | | |
| | rpm | 500 | 6 | 9 | 13 | 17 | 21 | 24 | 28 | 32 | 42 | 45 | 54 | 65 |
| | | 1000 | 13 | 17 | 25 | 34 | 41 | 47 | 57 | 64 | 84 | 90 | 108 | 130 |
| | | 1500 | 19 | 26 | 38 | 51 | 62 | 71 | 85 | 95 | 125 | 135 | 162 | 195 |
| Displacement | cm ³ /rev | 12.6 | 17.0 | 25.4 | 34.2 | 41.2 | 47.1 | 56.7 | 63.6 | 83.6 | 90.0 | 108.0 | 130.0 | |
| Max pump speed | | | | | | | | | | | | | | |
| <i>continuous</i> | rpm | 2300 | 2300 | 2300 | 2300 | 1900 | 1900 | 1900 | 1900 | 1600 | 1500 | 1600 | 1500 | |
| <i>intermittent</i> | | 3000 | 3000 | 3000 | 3000 | 2500 | 2500 | 2500 | 2500 | 2100 | 2000 | 2100 | 2000 | |
| Max working pressure | bar | 400 | 400 | 400 | 400 | 400 | 400 | 400 | 400 | 400 | 300 | 400 | 300 | |
| Weight | kg | 6.9 | 6.9 | 7.1 | 7.1 | 9.8 | 9.8 | 9.8 | 9.8 | 13.9 | 9.8 | 13.9 | 13.9 | |
| Tare-weight torque (M) | Nm | 6.7 | 6.7 | 7.0 | 7.0 | 11.5 | 11.5 | 11.5 | 11.5 | 18.5 | 11.5 | 18.5 | 18.5 | |
| Direction of rotation | Left (L) or Right (R) | | | | | | | | | | | | | |

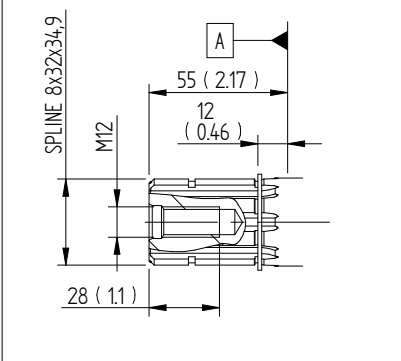
*SAPT

Dimensions SAP 012-034 DIN

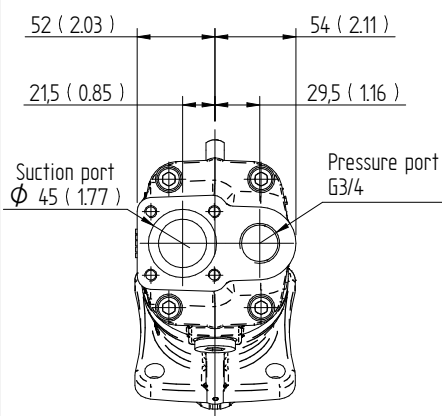
Millimeter (inch)



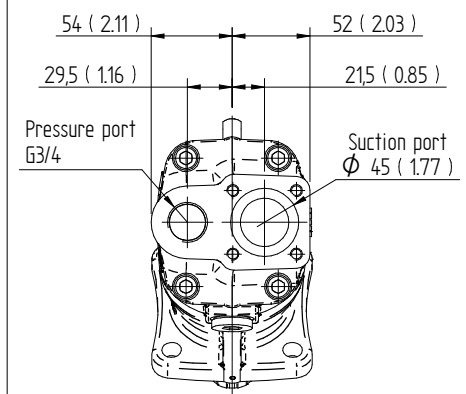
L35 DIN 5462 / ISO 14



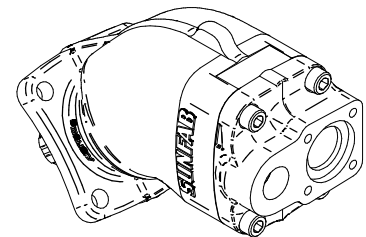
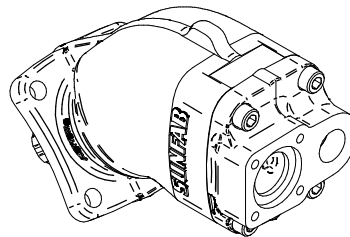
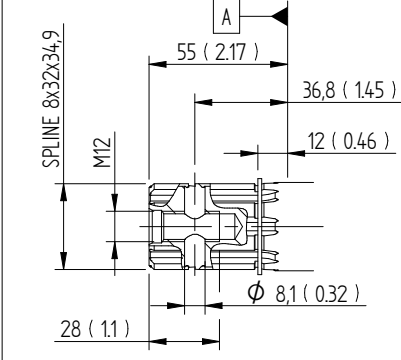
S0S Left rotation (L)



S0S Right rotation (R)

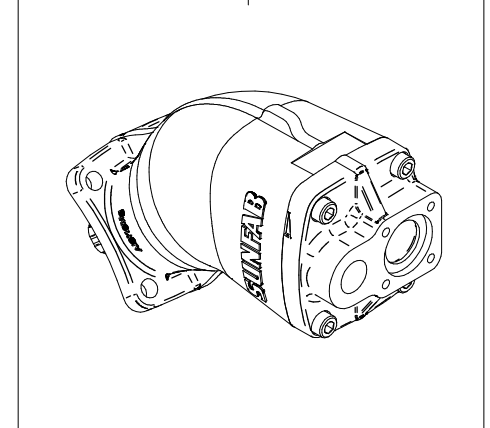
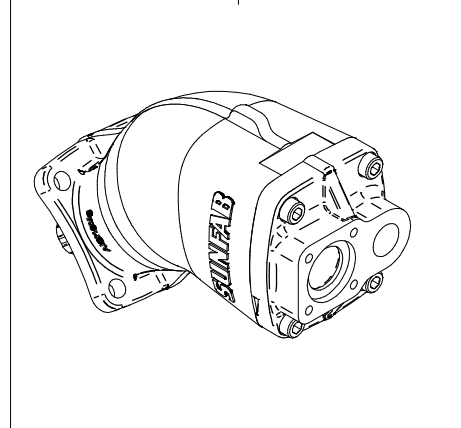
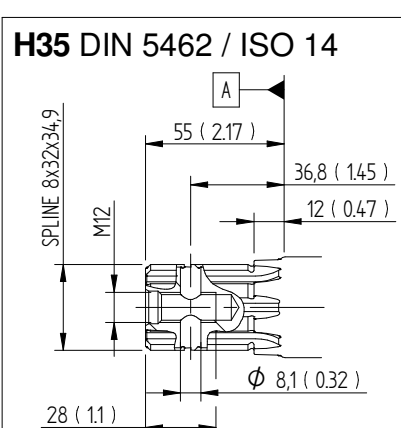
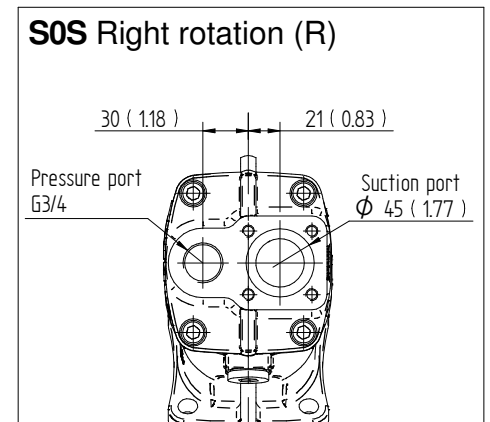
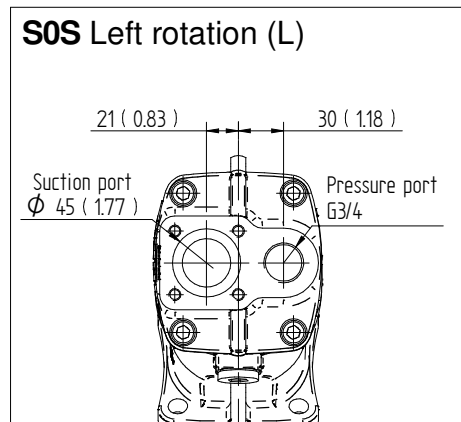
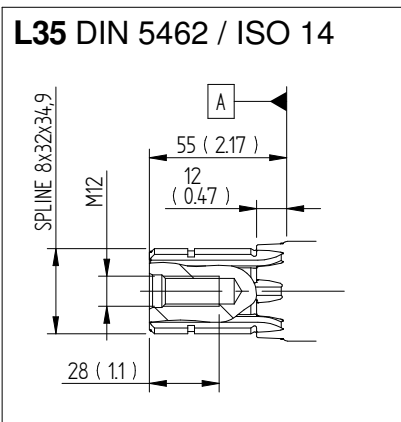
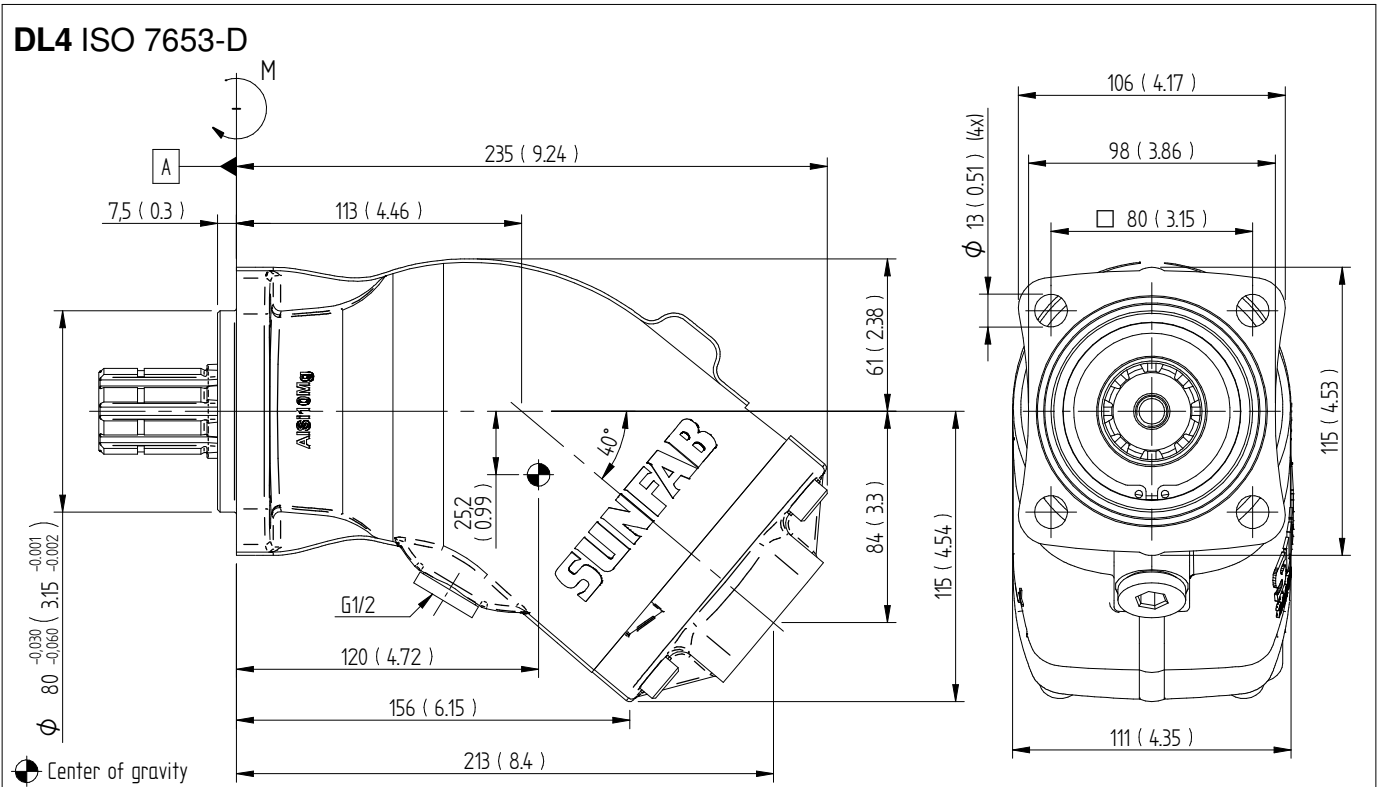


H35 DIN 5462 / ISO 14



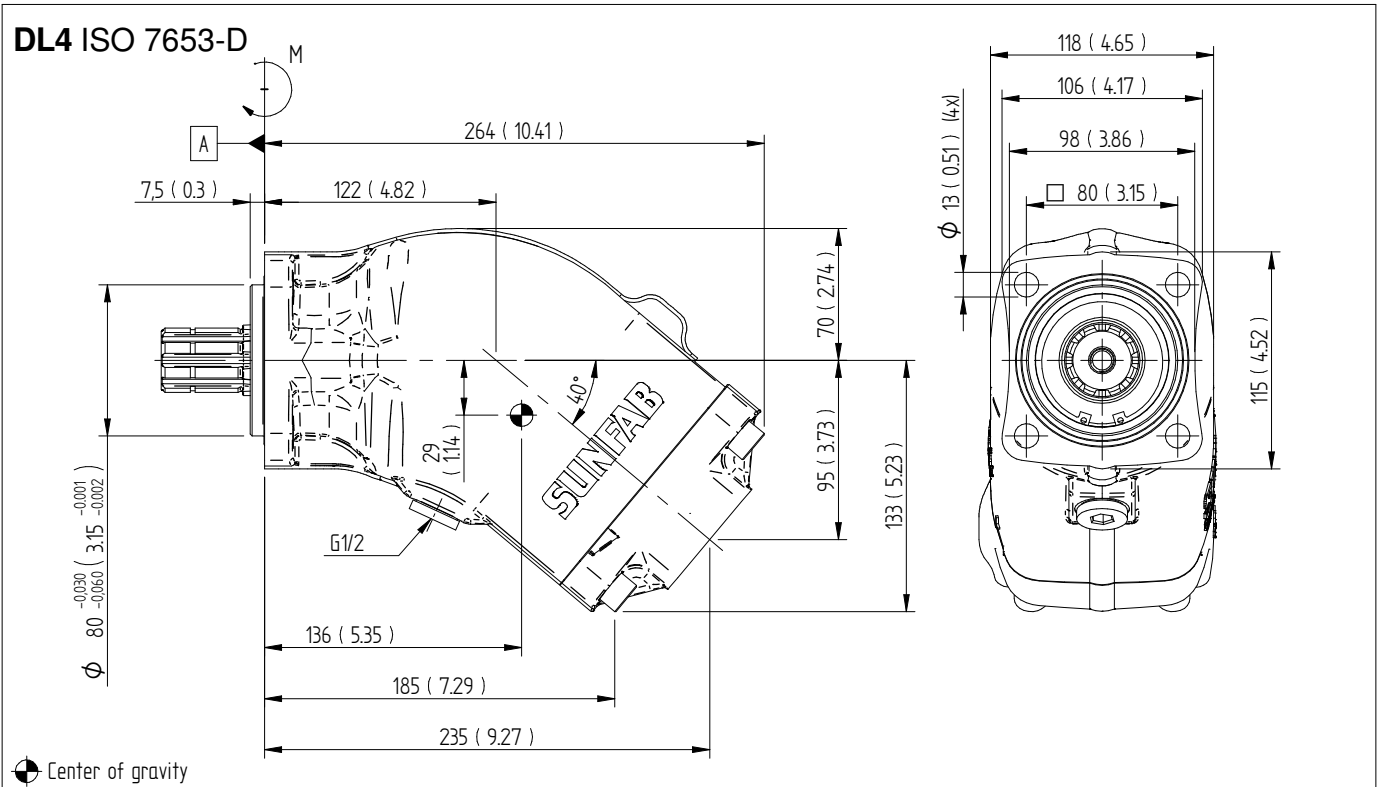
Dimensions SAP 040-064 DIN, SAPT 090 DIN

Millimeter (inch)

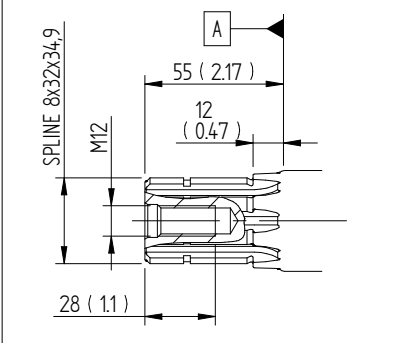


Dimensions SAP 084-108 DIN, SAPT 130 DIN

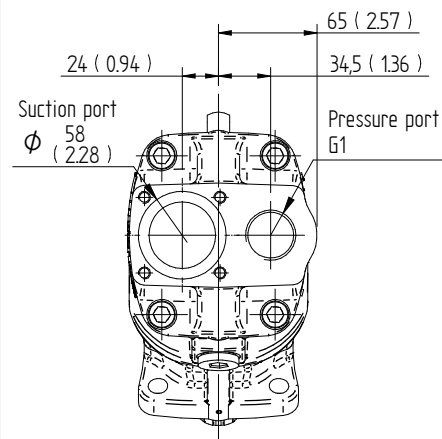
Millimeter (inch)



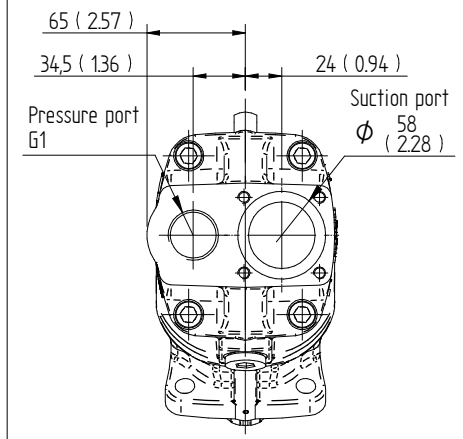
L35 DIN 5462 / ISO 14



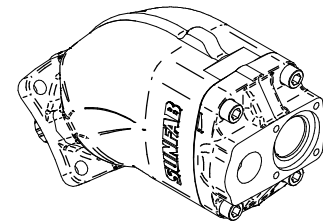
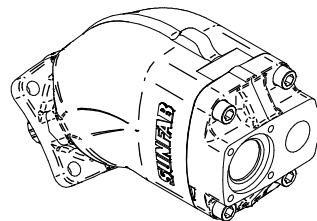
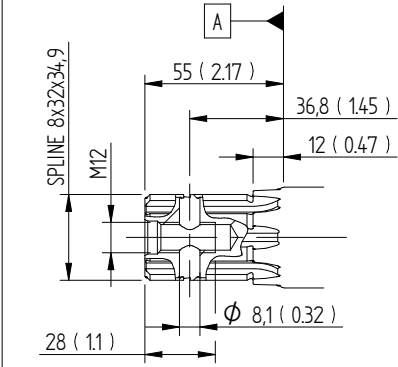
S0S Left rotation (L)



S0S Right rotation (R)



H35 DIN 5462 / ISO 14





WARNING!

When the pump is running:

1. Do not touch the pressure hose
2. Watch out for rotating parts
3. The pump and hoses may be hot

Sunfab reserves the right to make changes in design and dimensions without notice. Printing and typesetting errors reserved.

© Copyright 2022 Sunfab Hydraulics AB. All Rights Reserved.