



SEE ONLINE INSTRUCTION VIDEO!

SCAN THE QR-CODE ON THE RIGHT WITH YOUR MOBILE DEVICE

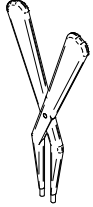
May require an QR-scanner app on your mobile device!



7405INT SCPD SHAFT SEAL 1.1

REQUIRED TOOLS

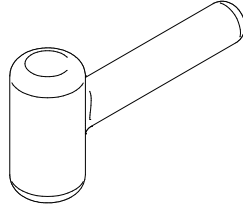
*Tools are available from Sunfab



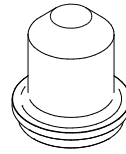
Lock ring pliers



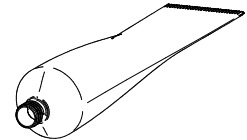
Sharp screwdriver



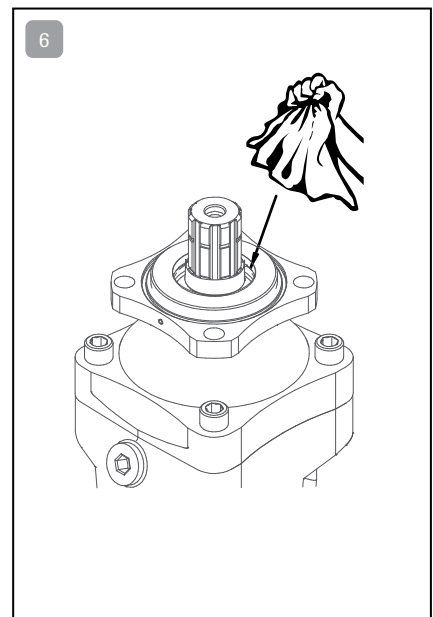
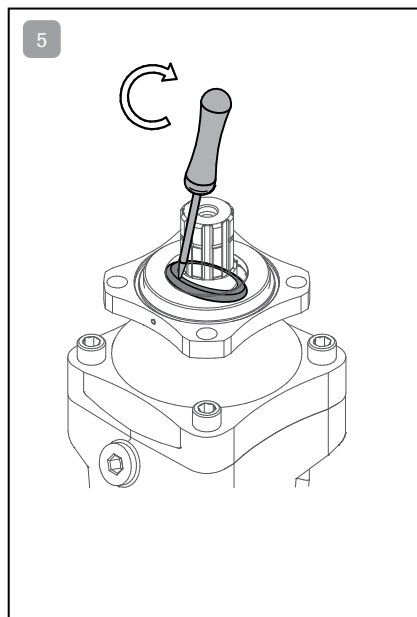
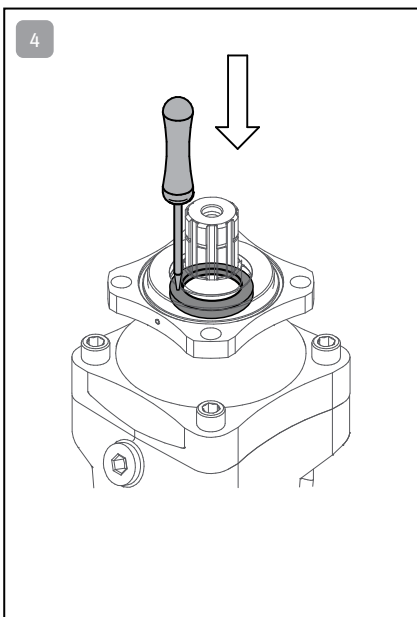
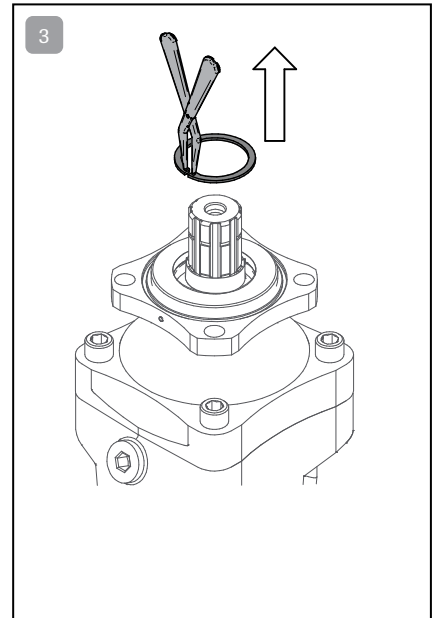
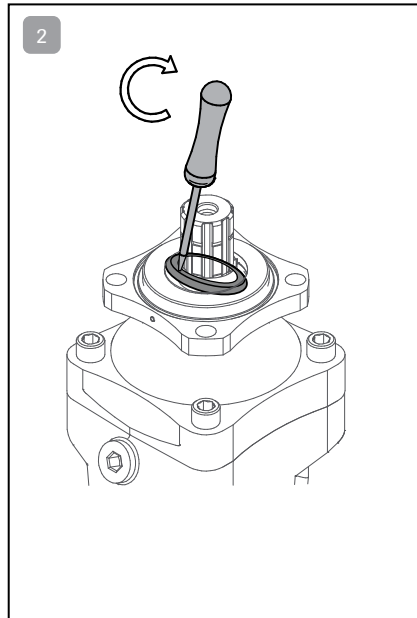
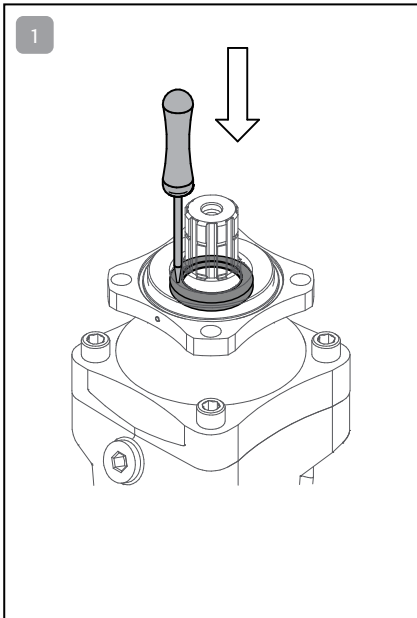
Plastic hammer



Press tool: 40339*



Grease



Instructions continues on the next page!

