



SEE ONLINE INSTRUCTION VIDEO!

SCAN THE QR-CODE ON THE RIGHT WITH YOUR MOBILE DEVICE

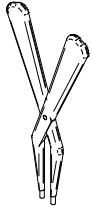
May require a QR-scanner app on your mobile device!



7405INT SAM SHAFT SEAL 1.1

REQUIRED TOOLS

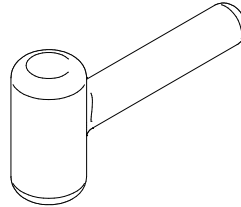
*Tools are available from Sunfab



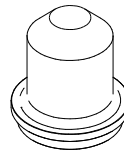
Lock ring pliers



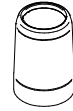
Sharp screwdriver



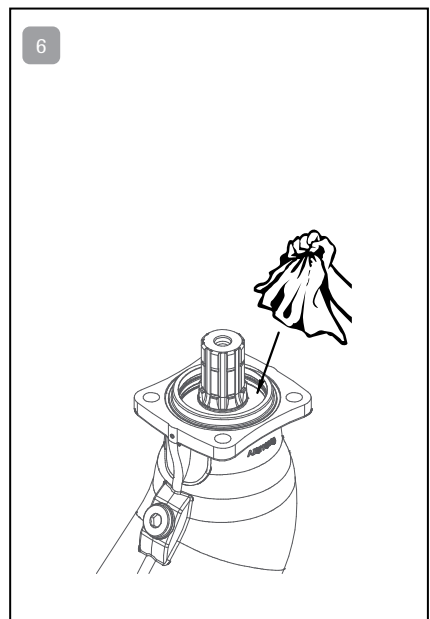
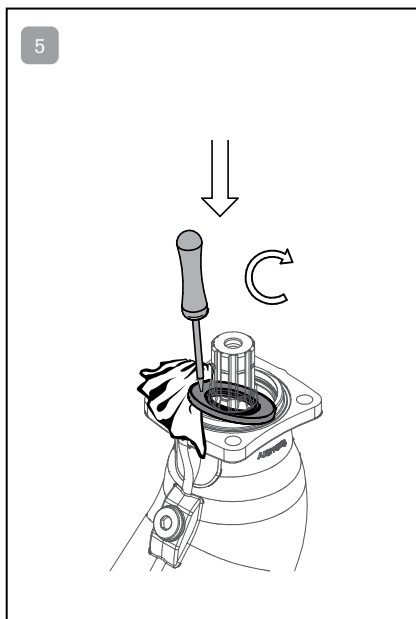
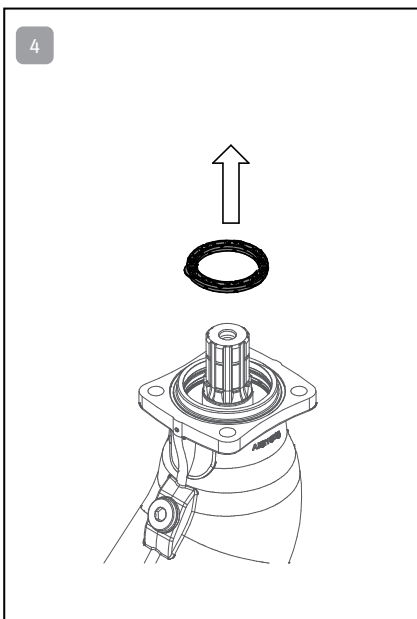
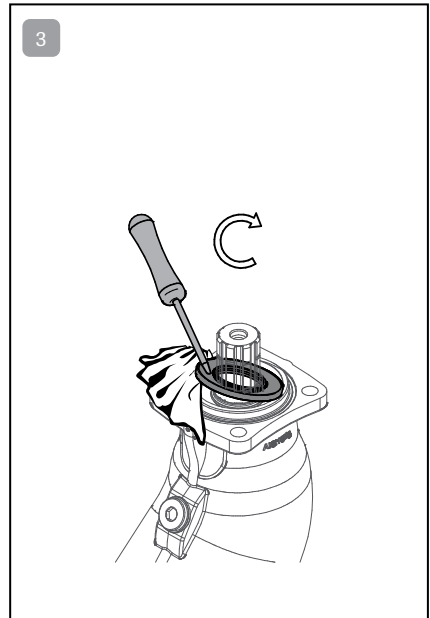
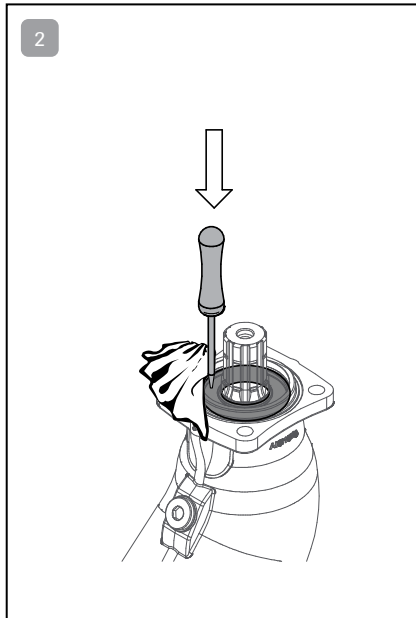
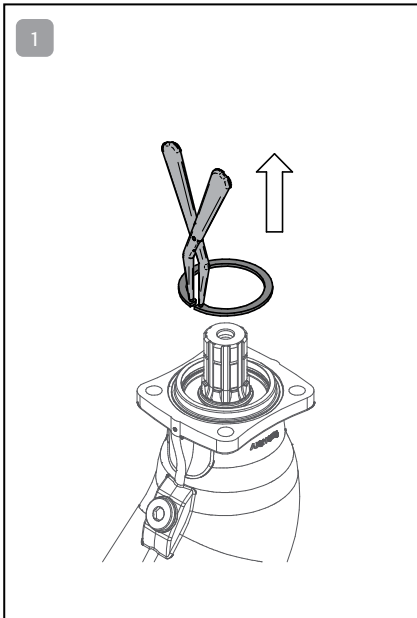
Plastic hammer



SAM 010-034: 40338*
SAM 040-130: 40336*



SAM 010-034: 40340*
SAM 040-130: 40145-9*



Instructions continues on the next page!

