



**SCPD 56/26 DIN is a dual flow pump with two separate flows of different sizes.**

SCPD 56/26 DIN provides 3.42 and 1.59 cu in/rev and supports a maximum working pressure of 5800 psi. It can effectively be directly mounted on gear boxes equipped with engageable and disengageable power take-offs. It is speed optimized and therefore supplied for either left (L) or right (R) rotation direction.

**Other advantages:**

- High self-priming speed
- Constant low noise level
- Long life due to high demands on material selection, such as bearings, seals, etc.
- O-rings on all contact surfaces as well as double shaft seals eliminate oil leakage from the pump and power take-off

## Versions, main data

Example

SC	PD	-	56/26	L	-	V	-	DL4	-	L35	-	S0	S	-	2	00
Line	1		2	3		4		5		6		7	8		9	10

Line	
SC	Sunfab Compact, bent-axis design

1. Type	
P	Dual flow pump

2. Displacement	
	56/26

3. Direction of rotation	
R	Right
L	Left

4. Shaft seal	
V	FPM

5. Mounting flange	
DL4	DIN 4-h (ISO 7653D)

6. Shaft	
L35	DIN 5462 / ISO 14
H35	DIN 5462 / ISO 14 Ø 8.15

7. Connection cover	
S0	40° Sunfab standard

8. Connections	
S	Sunfab standard

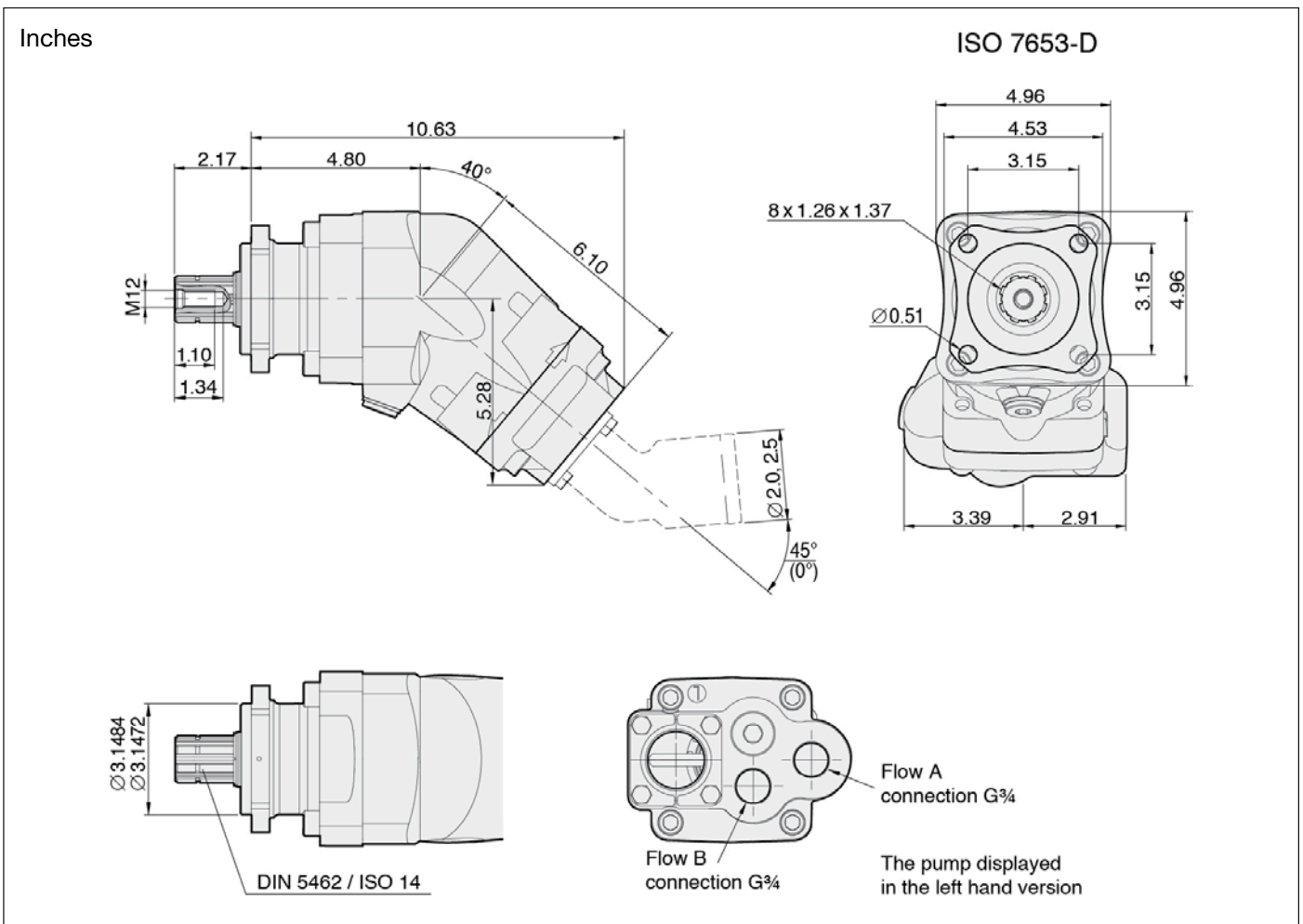
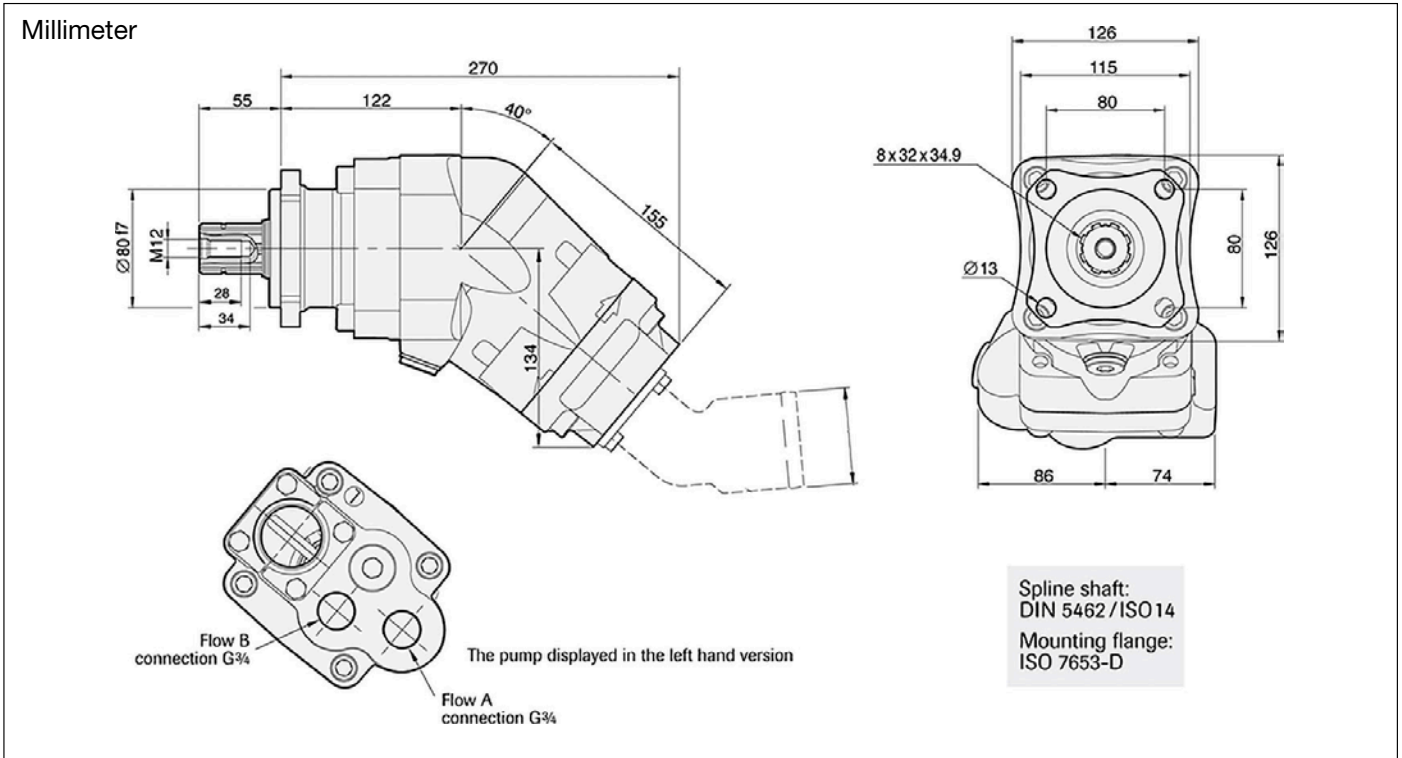
9. Additional	
2	Optimized

10. Accessories	
00	No accessories available

SCPD 56/26 DIN

Theoretical oil flow, A+B at pump speed				
		GPM		
rpm	600	8.9+4.1=13.0		
	1000	14.8+6.9=21.7		
	1200	17.8+8.3=26.1		
	1500	22.2+10.3=32.5		
	1800	26.6+12.4=39.0		
Displacement				
cu in/rev	3.42 + 1.59			
Max pump speed				
rpm	1850			
Max working pressure				
psi	5800			
Weight				
lb	39.7			
Tare-weight torque (M)				
lb-ft	15.5			
Theoretical power at pressure and pump speed				
		2900 psi	4350 psi	5800 psi
rpm	600	15.0+7.0=22.0 hp	22.5+10.5=33.0 hp	30.0+14.0=44.0 hp
	1200	30.0+14.0=44.0 hp	45.0+21.0=66.0 hp	60.0+28.0=88.0 hp
	1800	45.0+21.0=66.0 hp	67.5+31.5=99.0 hp	90.0+42.0=132.0 hp
Nominal torque on pump shaft at different pressures				
		2900 psi	4350 psi	5800 psi
		131+61.2=192 lb-ft	197+91.5=288 lb-ft	263+122=384 lb-ft
Direction of rotation				
Left (L) or Right (R)				

# Dimensions SCPD 56/26 DIN





**WARNING!**

When the pump is running:

1. Do not touch the pressure hose
2. Watch out for rotating parts
3. The pump and hoses may be hot

Sunfab reserves the right to make changes in design and dimensions without notice. Printing and typesetting errors reserved.

© Copyright 2023 Sunfab Hydraulics AB. All Rights Reserved.