



**SLPD 20/20-64/32 SAE is a series of in-line double pumps with extremely low noise levels for demanding mobile hydraulics.**

SLPD 20/20-64/32 SAE pumps are equipped with shafts and flanges according to the SAE-C standard. They are available in eight different sizes. It's slim pump housing enables direct installation on the power take-off in very confined spaces. SLPD is also easy to install with frame mountings via an intermediate shaft. The high level of reliability is based on the choice of materials, hardening methods, surface structures and the quality assured manufacturing process. Maximum pressure is 4785 - 5075 psi, dependent on model.

#### **Option for conversion to single-flow pump**

For applications where the SLPD is intended to be used as a single-flow pump, Sunfab offers a solution that can be purchased as a separate accessory.

By replacing the pump's existing banjo bolt and T-connection with a specially designed banjo bolt, a single pressure port is obtained on the pump instead of the previous two connections.

The banjo bolt is ordered separately with a sealing washer, and the customer converts the existing SLPD pump into a single-flow pump.

#### **Other advantages:**

- Independent direction of rotationA cost effective total solution in relation to a conventional installation using two pumps with a splitter gear box
- Smooth operation over the entire speed range
- Long life due to high demands on material selection, such as bearings, seals, etc.
- O-rings on all contact surfaces as well as double shaft seals eliminate oil leakage from the pump and power takeoff
- Extremely low noise emission over entire speed and pressure ranges

## Versions, main data

Example

SL	PD	-	46/46	W	-	N	-	SC4	-	C14	-	S4	S
Line	1		2	3		4		5		6		7	8

Line

SL	Sunfab In-Line
----	----------------

1. Type

PD	
----	--

2. Displacement

20/20	28/28	40/20	35/35	56/28	46/46	53/53	64/32
-------	-------	-------	-------	-------	-------	-------	-------

3. Direction of rotation

W	Independent
---	-------------

4. Shaft seal

N	Nitrile
V*	FPM

\*Can withstand higher temperature, e.g. on engine PTO.

5. Mounting flange

SC4	SAE C4
-----	--------

6. Shaft

C14	SAE C 14t12/24DP
-----	------------------

7. Connection cover

S4	Sunfab standard SLPD
----	----------------------

8. Connections

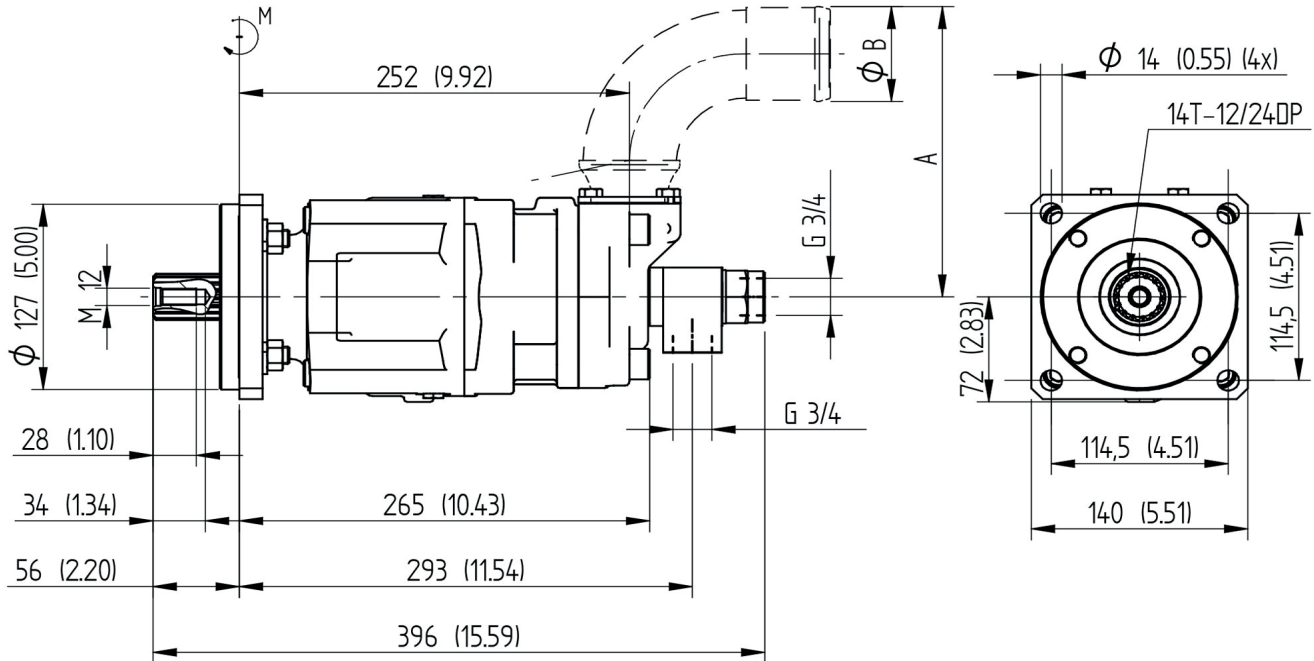
S	Sunfab standard
---	-----------------

SLPD 20/20		20/20	28/28	40/20	35/35	56/28	46/46	53/53	64/32
-64/32 SAE		20/20	28/28	40/20	35/35	56/28	46/46	53/53	64/32
rpm	500	2.7+2.7=5.4	3.6+3.6=7.2	5.4+2.7=8.1	4.5+4.5=9.0	7.3+3.6=10.9	6.0+6.0=12.0	6.9+6.9=13.8	8.3+4.2=12.5
	1000	5.4+5.4=10.8	7.3+7.3=14.6	10.8+5.4=16.2	9.0+9.0=18.0	14.5+7.3=21.8	12.1+12.1=24.2	13.9+13.9=27.8	16.7+8.3=25.0
	1500	8.1+8.1=16.2	10.9+10.9=21.8	16.1+8.1=24.2	13.4+13.4=26.8	21.8+10.9=32.7	18.1+18.1=36.2	20.8+20.8=41.6	25.0+12.5=37.5
<b>Displacement</b>									
cu in/rev		1.24+1.24	1.68+1.68	2.48+1.24	2.07+2.07	3.35+1.68	2.79+2.79	3.21+3.21	3.85+1.92
<b>Max pump speed</b>									
rpm		2200	1800	2200	2200	1800	1800	1600	1600
<b>Max working pressure</b>									
psi		5075	5075	5075	4785	5075	4785	4785	5075
<b>Weight</b>									
lb		48.5	48.5	48.5	48.5	48.5	48.5	48.5	48.5
<b>Tare-weight torque (M)</b>									
lb-ft		19.5	19.5	19.5	19.5	19.5	19.5	19.5	19.5
<b>Direction of rotation</b>									
Independent									

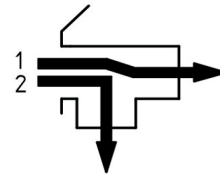
Maximum pressure combined with maximum speed is only allowed during intermittent operation (max. 6 sec/min)

## Dimensions SLPD 20/20-64/32 SAE

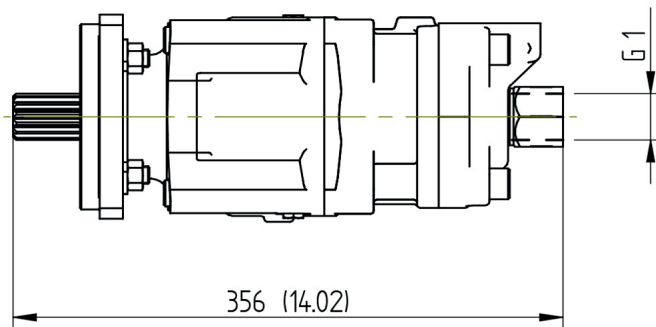
Millimeter (inches)



-	20/20	28/28	35/35	46/46	53/53	40/20	56/28	64/32
1	20	28	35	46	53	20	28	32
2	20	28	35	46	53	40	56	64
1+2	40	56	70	92	106	60	84	96



### OPTION SINGLE FLOW CONVERSION



### 51037 Kit



Tightening Torques:  
150 ±10 Nm

	20/20	28/28	40/20	35/35	56/28	46/46	53/53	64/32
A	133 (5.24)	133 (5.24)	133 (5.24)	133 (5.24)	166 (6.54)	166 (6.54)	166 (6.54)	166 (6.54)
B	50 (2.0)	50 (2.0)	50 (2.0)	50 (2.0)	64 (2.5)	64 (2.5)	64 (2.5)	64 (2.5)



**WARNING!**

When the pump is running:

1. Do not touch the pressure hose
2. Watch out for rotating parts
3. The pump and hoses may be hot

Sunfab reserves the right to make changes in design and dimensions without notice. Printing errors reserved.

© Copyright Sunfab Hydraulics AB. All Rights Reserved.