



Pressure relief valve Prv 32/42



Pressure relief valve Prv 32/42

All hydraulic systems must be equipped with a pressure relief valve.

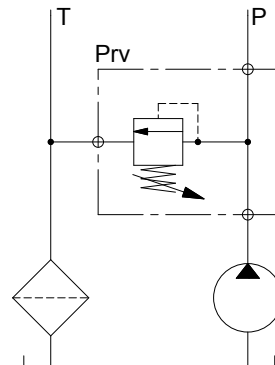
Sunfab in-line mounted pressure relief valve Prv 32/42 protects the pump and hydraulic system.

Sunfab Prv 32/42 supports working pressures of 3700-4600/4600-6000 psi and have a capacity for a flow of 39.6 gpm.

Sunfab Prv 32/42 is mounted close to the pump to protect against pressure surges. Assembly is simplified by the through pressure connection at the same time as the need for adapters and nipples is minimised.

Other advantages offered by Sunfab Prv 32/42:

- Pressure gauge socket facilitates adjustment and trouble shooting on the hydraulic system
- Preset opening pressure of 4600/6000 psi
- Compact design





Versions, main data

Example

PRV	-	32	-	G1
1		2		3

1. Type

PRV	Pressure Relief Valve
------------	-----------------------

2.

32	Preset opening pressure (4600 psi)
42	Preset opening pressure(6000 psi)

3. Thread

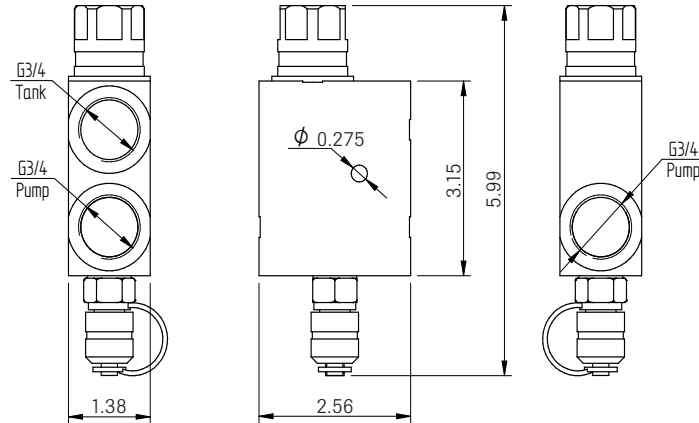
3/4	Connections
G1	Connections

Model PRV

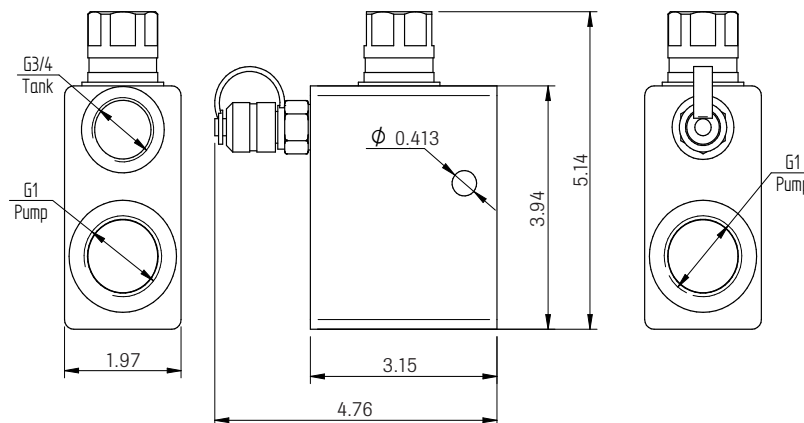
	32-3/4	32-G1	42-3/4	42-G1
Weight (lb)	2.6	5.7	2.6	5.7
Max pressure (psi)*	4600	4600	6000	6000
Regulation range	3700-4600	3700-4600	4600-6000	4600-6000
Adjustment psi/rev	1595	1595	1885	1885
Max flow gpm	39.6	39.6	39.6	39.6
Test point type	Minimess	Minimess	Minimess	Minimess
Tank connection	3/4	3/4	3/4	3/4

*Preset at factory

3/4



G1



Sunfab reserves the right to make changes in design and dimensions without notice. Printing and typesetting errors reserved.
 © Copyright 2015 Sunfab Hydraulics AB. All Rights Reserved.