



SCP 012-108 SAE is a series of piston pumps with a fixed displacement for demanding mobile hydraulics.

Sunfab SCP 012-108 SAE pumps are equipped with shafts and flanges according to the SAE-B and SAE-C standard. They are available in the range from 12-108 cm³/rev. It is a modern, compact pump which meets the market's high demands on flow performance, pressure, efficiency and small installation dimensions.

The pump is either mounted directly on the power take-off or on a frame bracket via an intermediate shaft.

Other advantages:

- High maximum speed while maintaining low noise levels
- Smooth operation over the entire speed range
- Long life due to high demands on material selection, such as bearings, seals, etc
- O-rings on all contact surfaces as well as double shaft seals eliminate oil leakage from the pump and power take-off

Versions, main data

Example

| | | | | | | | | | | | | | | | | |
|------|---|---|-----|---|---|---|---|-----|---|-----|---|----|---|---|---|----|
| SC | P | - | 084 | L | - | N | - | SC4 | - | C14 | - | S0 | S | - | 0 | 00 |
| Line | 1 | | 2 | 3 | | 4 | | 5 | | 6 | | 7 | 8 | | 9 | 10 |

| | | |
|------|----|----------------------------------|
| Line | SC | Sunfab Compact, bent-axis design |
|------|----|----------------------------------|

| | | |
|---------|---|------|
| 1. Type | P | Pump |
|---------|---|------|

| | | | | | | | | | | |
|-----------------|-----|-----|-----|-----|-----|-----|-----|-----|-----|-----|
| 2. Displacement | 012 | 017 | 025 | 034 | 040 | 047 | 056 | 064 | 084 | 108 |
|-----------------|-----|-----|-----|-----|-----|-----|-----|-----|-----|-----|

| | | |
|--------------------------|---|-------|
| 3. Direction of rotation | R | Right |
| | L | Left |

| | | |
|---------------|---|---------|
| 4. Shaft seal | N | Nitrile |
|---------------|---|---------|

| | | | | | | | | | | | |
|--------------------|--------|-----|-----|-----|-----|-----|-----|-----|-----|-----|-----|
| 5. Mounting flange | | 012 | 017 | 025 | 034 | 040 | 047 | 056 | 064 | 084 | 108 |
| SB4 | SAE B4 | X | X | X | X | X | X | X | X | - | - |
| SC4 | SAE C4 | - | - | - | - | X | X | X | X | X* | X* |

| | | | | | | | | | | | |
|----------|-----------|-----|-----|-----|-----|-----|-----|-----|-----|-----|-----|
| 6. Shaft | | 012 | 017 | 025 | 034 | 040 | 047 | 056 | 064 | 084 | 108 |
| B13 | SAE B 13t | - | - | X | X | X | X | X | X | - | - |
| H13 | SAE B 13t | X | X | X | X | X | X | X | X | - | - |
| C14 | SAE C 14t | - | - | - | - | X | X | X | X | X | X |

| | | |
|---------------------|----|---------------------|
| 7. Connection cover | S0 | 40° Sunfab standard |
|---------------------|----|---------------------|

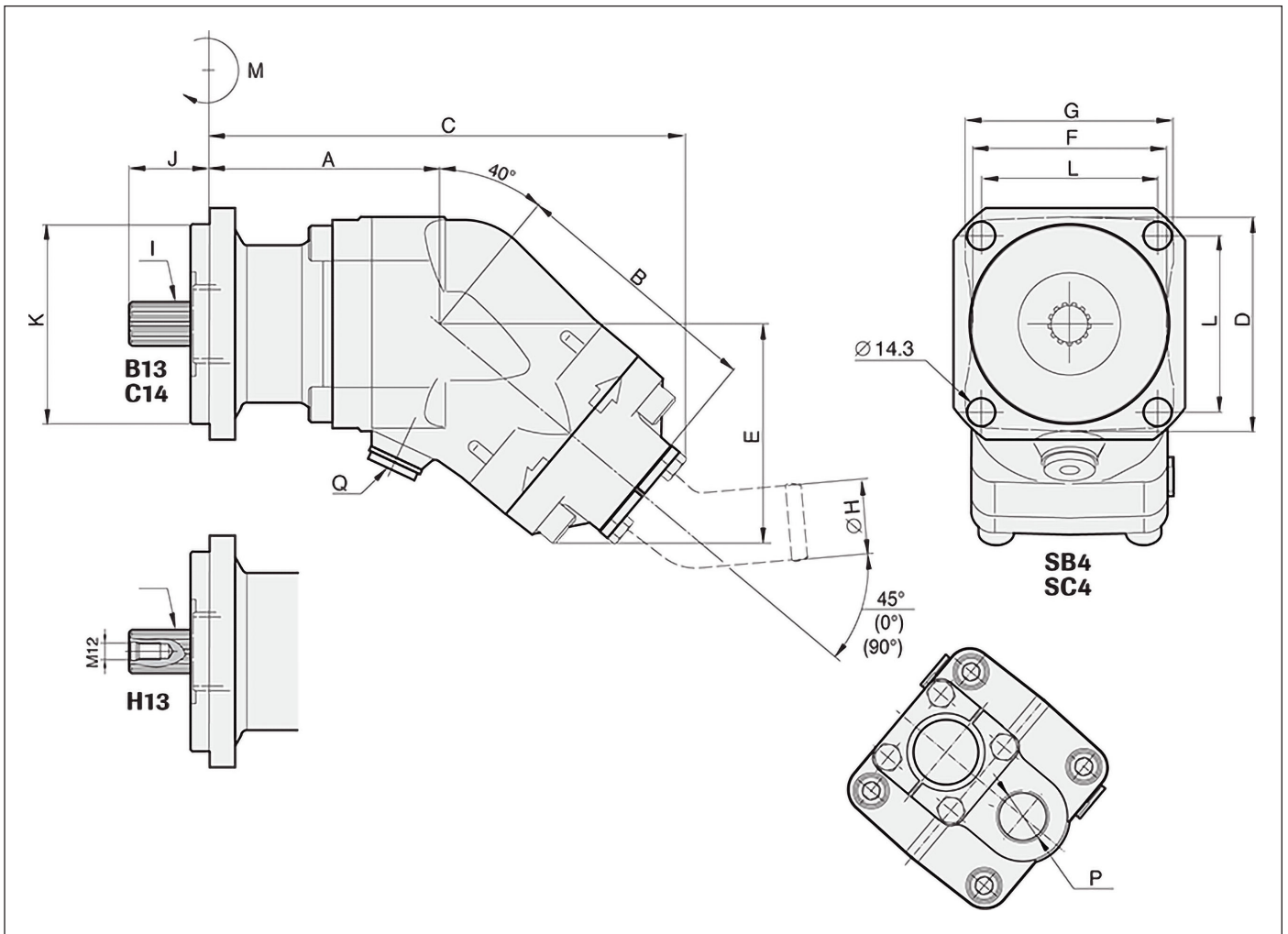
| | | |
|----------------|---|-----------------|
| 8. Connections | S | Sunfab standard |
|----------------|---|-----------------|

| | | |
|---------------|---|---|
| 9. Additional | 0 | - |
|---------------|---|---|

| | | |
|-----------------|----|--------------------------|
| 10. Accessories | 00 | No accessories available |
|-----------------|----|--------------------------|

| SCP 012-108 SAE | | 012 SAE B | 017 SAE B | 025 SAE B | 034 SAE B | 040 SAE B | 040 SAE C | 047 SAE B | 047 SAE C | 056 SAE B | 056 SAE C | 064 SAE B | 064 SAE C | 084 SAE C | 108 SAE C |
|---|------|--------------|--------------|--------------|--------------|--------------|--------------|--------------|--------------|--------------|--------------|--------------|--------------|--------------|--------------|
| Theoretical oil flow l/min at pump speed | | | | | | | | | | | | | | | |
| rpm | 500 | 6 | 9 | 13 | 17 | 21 | 21 | 24 | 24 | 28 | 28 | 32 | 32 | 42 | 54 |
| | 1000 | 13 | 17 | 25 | 34 | 41 | 41 | 47 | 47 | 57 | 57 | 64 | 64 | 84 | 108 |
| | 1500 | 19 | 26 | 38 | 51 | 62 | 62 | 71 | 71 | 85 | 85 | 95 | 95 | 125 | 162 |
| Displacement | | | | | | | | | | | | | | | |
| cm ³ /rev | | 12.6 | 17.0 | 25.4 | 34.2 | 41.2 | 41.2 | 47.1 | 47.1 | 56.7 | 56.7 | 63.6 | 63.6 | 83.6 | 108.0 |
| Max pump speed | | | | | | | | | | | | | | | |
| <i>continuous</i> | rpm | 2300 | 2300 | 2300 | 2300 | 1900 | 1900 | 1900 | 1900 | 1900 | 1900 | 1900 | 1900 | 1500 | 1500 |
| <i>intermittent</i> | | 3000 | 3000 | 3000 | 3000 | 2500 | 2500 | 2500 | 2500 | 2500 | 2500 | 2500 | 2500 | 2000 | 2000 |
| Max working pressure | | | | | | | | | | | | | | | |
| bar | | 400 | 400 | 400 | 400 | 400 | 400 | 400 | 400 | 400 | 400 | 350 | 400 | 400 | 400 |
| Weight | | | | | | | | | | | | | | | |
| kg | | 8.7 | 8.6 | 8.9 | 8.8 | 12.3 | 14.3 | 12.3 | 14.3 | 12.3 | 14.3 | 12.2 | 14.1 | 19.0 | 19.0 |
| Tare-weight torque (M) | | | | | | | | | | | | | | | |
| Nm | | 6.9 | 6.9 | 7.4 | 7.4 | 13 | 13 | 13 | 13 | 13 | 13 | 13 | 13 | 21 | 21 |
| Direction of rotation | | | | | | | | | | | | | | | |
| Left (L) or Right (R) | | | | | | | | | | | | | | | |

Millimeter (inch)



| | 012 SAE B4 | 017 SAE B4 | 025 SAE B4 | 034 SAE B4 | 040 SAE B4 | 040 SAE C4 | 047 SAE B4 | 047 SAE C4 | 056 SAE B4 | 056 SAE C4 | 064 SAE B4 | 064 SAE C4 | 084 SAE C4 | 108 SAE C4 |
|---|---------------------|---------------------|---------------------|---------------------|---------------------|---------------------|---------------------|---------------------|---------------------|---------------------|---------------------|---------------------|---------------------|---------------------|
| A | 101 (3.98) | 101 (3.98) | 101 (3.98) | 101 (3.98) | 117 (4.61) | 119 (4.69) | 117 (4.61) | 119 (4.69) | 117 (4.61) | 119 (4.69) | 117 (4.61) | 119 (4.69) | 128 (5.04) | 128 (5.04) |
| B | 117 (4.61) | 117 (4.61) | 117 (4.61) | 117 (4.61) | 130 (5.12) | 130 (5.12) | 130 (5.12) | 130 (5.12) | 130 (5.12) | 130 (5.12) | 130 (5.12) | 130 (5.12) | 147 (5.79) | 147 (5.79) |
| C | 209 (8.23) | 209 (8.23) | 209 (8.23) | 209 (8.23) | 235 (9.25) | 237 (9.33) | 235 (9.25) | 237 (9.33) | 235 (9.25) | 237 (9.33) | 235 (9.25) | 237 (9.33) | 262 (10.3) | 262 (10.3) |
| D | 99 (3.90) | 99 (3.90) | 99 (3.90) | 99 (3.90) | 109 (4.29) | 109 (4.29) | 109 (4.29) | 109 (4.29) | 109 (4.29) | 109 (4.29) | 109 (4.29) | 109 (4.29) | 126 (4.96) | 126 (4.96) |
| E | 97 (3.82) | 97 (3.82) | 97 (3.82) | 97 (3.82) | 112 (4.41) | 112 (4.41) | 112 (4.41) | 112 (4.41) | 112 (4.41) | 112 (4.41) | 112 (4.41) | 112 (4.41) | 126 (4.96) | 126 (4.96) |
| F | 89 (3.50) | 89 (3.50) | 89 (3.50) | 89 (3.50) | 99 (3.90) | 99 (3.90) | 99 (3.90) | 99 (3.90) | 99 (3.90) | 99 (3.90) | 99 (3.90) | 99 (3.90) | 115 (4.53) | 115 (4.53) |
| G | 97 (3.82) | 97 (3.82) | 97 (3.82) | 97 (3.82) | 106 (4.17) | 106 (4.17) | 106 (4.17) | 106 (4.17) | 106 (4.17) | 106 (4.17) | 106 (4.17) | 106 (4.17) | 123 (4.84) | 123 (4.84) |
| H | 38 (1.5) | 38 (1.5) | 38 (1.5) | 38 (1.5) | 38 (1.5) | 38 (1.5) | 38 (1.5) | 38 (1.5) | 38 (1.5) | 38 (1.5) | 38 (1.5) | 38 (1.5) | 50 (2.0) | 50 (2.0) |
| | 50 (2.0) | 50 (2.0) | 50 (2.0) | 50 (2.0) | 50 (2.0) | 50 (2.0) | 50 (2.0) | 50 (2.0) | 50 (2.0) | 50 (2.0) | 50 (2.0) | 50 (2.0) | 64 (2.5) | 64 (2.5) |
| I | SAE B 13T16/32DP | SAE B 13T16/32DP | SAE B 13T16/32DP | SAE B 13T16/32DP | SAE B 13T16/32DP | SAE C 14T12/24DP | SAE B 13T16/32DP | SAE C 14T12/24DP | SAE B 13T16/32DP | SAE C 14T12/24DP | SAE B 13T16/32DP | SAE C 14T12/24DP | SAE C 14T12/24DP | SAE C 14T12/24DP |
| J | 41 (1.61) | 41 (1.61) | 41 (1.61) | 41 (1.61) | 41 (1.61) | 56 | 41 (1.61) | 56 (2.20) | 41 (1.61) | 56 (2.20) | 41 (1.61) | 56 (2.20) | 56 (2.20) | 56 (2.20) |
| K | 101.6 (4.0) | 101.6 (4.0) | 101.6 (4.0) | 101.6 (4.0) | 101.6 (4.0) | 127.0 (5.0) | 101.6 (4.0) | 127.0 (5.0) | 101.6 (4.0) | 127.0 (5.0) | 101.6 (4.0) | 127.0 (5.0) | 127.0 (5.0) | 127.0 (5.0) |
| L | 89.8 (3.54) | 89.8 (3.54) | 89.8 (3.54) | 89.8 (3.54) | 89.8 (3.54) | 114.5 (4.51) | 89.8 (3.54) | 114.5 (4.51) | 89.8 (3.54) | 114.5 (4.51) | 89.8 (3.54) | 114.5 (4.51) | 114.5 (4.51) | 114.5 (4.51) |
| P | 3/4 | 3/4 | 3/4 | 3/4 | 3/4 | 3/4 | 3/4 | 3/4 | 3/4 | 3/4 | 3/4 | 3/4 | 1 | 1 |
| Q | 1/2 | 1/2 | 1/2 | 1/2 | 1/2 | 1/2 | 1/2 | 1/2 | 1/2 | 1/2 | 1/2 | 1/2 | 1/2 | 1/2 |



WARNING!

When the pump is running:

1. Do not touch the pressure hose
2. Watch out for rotating parts
3. The pump and hoses may be hot

Sunfab reserves the right to make changes in design and dimensions without notice. Printing and typesetting errors reserved.

© Copyright 2023 Sunfab Hydraulics AB. All Rights Reserved.