

SLPD 40/20-64/32 SAE is a series of in-line double pumps with extremely low noise levels for demanding mobile hydraulics.

SLPD 40/20-64/32 SAE pumps are equipped with shafts and flanges according to the SAE-C standard. They are available in six different sizes. It's slim pump housing enables direct installation on the power take-off in very confined spaces. SLPD is also easy to install with frame mountings via an intermediate shaft. The high level of reliability is based on the choice of materials, hardening methods, surface structures and the quality assured manufacturing process. Maximum pressure is 4785 - 5075 psi, dependent on model.

Other advantages:

- Independent direction of rotationA cost effective total solution in relation to a conventional installation using two pumps with a splitter gear box
- Smooth operation over the entire speed range
- Long life due to high demands on material selection, such as bearings, seals, etc.
- O-rings on all contact surfaces as well as double shaft seals eliminate oil leakage from the pump and power takeoff
- Extremely low noise emission over entire speed and pressure ranges

Versions, main data

Example

SL	PD	-	46/46	W	-	N	-	SC4	-	C14	-	S4	S
Line	1		2	3		4		5		6		7	8

Line

SL	Sunfab In-Line
----	----------------

1. Type

P	Dual flow pump
---	----------------

2. Displacement

20/20	40/20	35/35	46/46	53/53	64/32
-------	-------	-------	-------	-------	-------

3. Direction of rotation

W	Independent
---	-------------

4. Shaft seal

N	Nitrile
V*	FPM

*Can withstand higher temperature, e.g. on engine PTO.

5. Mounting flange

SC4	SAE C4
-----	--------

6. Shaft

C14	SAE C 14t12/24DP
-----	------------------

7. Connection cover

S4	Sunfab standard SLPD
----	----------------------

8. Connections

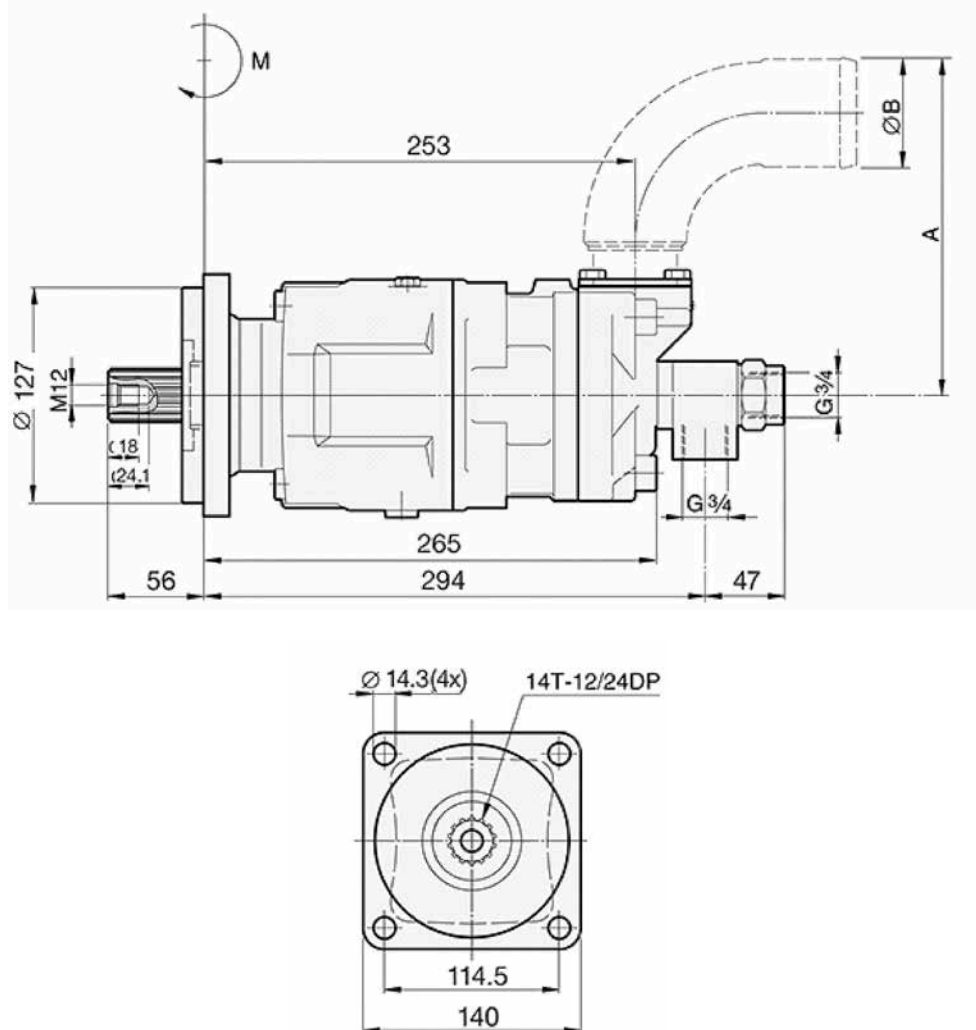
S	Sunfab standard
---	-----------------

SLPD 40/20- 64/32 SAE		40/20	35/35	56/28	46/46	53/53	64/32
rpm	500	5.4+2.7=8.1	4.5+4.5=9.0	7.3+3.6=10.9	6.0+6.0=12.0	6.9+6.9=13.8	8.3+4.2=12.5
	1000	10.8+5.4=16.2	9.0+9.0=18.0	14.5+7.3=21.8	12.1+12.1=24.2	13.9+13.9=27.8	16.7+8.3=25.0
	1500	16.1+8.1=24.2	13.4+13.4=26.8	21.8+10.9=32.7	18.1+18.1=36.2	20.8+20.8=41.6	25.0+12.5=37.5
Displacement							
cu in/rev		2.48+1.24	2.07+2.07	3.35+1.68	2.79+2.79	3.21+3.21	3.85+1.92
Max pump speed							
rpm		2200	2200	1800	1800	1600	1600
Max working pressure							
psi		5075	4785	5075	4785	4785	5075
Weight							
lb		48.5	48.5	48.5	48.5	48.5	48.5
Tare-weight torque (M)							
lb-ft		19.5	19.5	19.5	19.5	19.5	19.5
Direction of rotation							
Independent							

Maximum pressure combined with maximum speed is only allowed during intermittent operation (max. 6 sec/min)

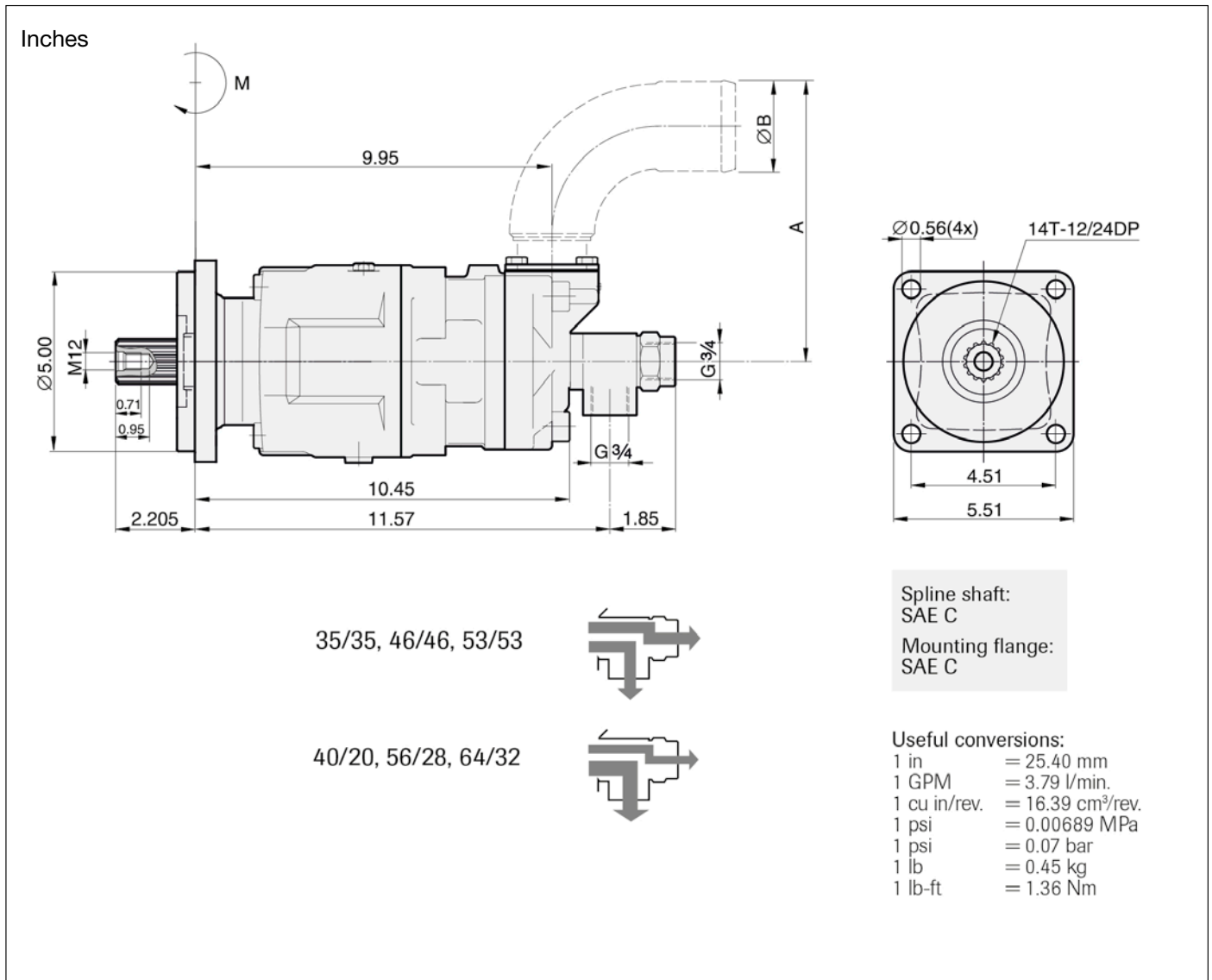
Dimensions SLPD 20/20-64/32 SAE

Millimeter



	20/20	28/28	40/20	35/35	56/28	46/46	53/53	64/32
A	133	133	133	133	166	166	166	166
B	50	50	50	50	64	64	64	64

Dimensions SLPD 20/20-64/32 SAE



	20/20	28/28	40/20	35/35	56/28	46/46	53/53	64/32
A	5.24	5.24	5.24	5.24	6.54	6.54	6.54	6.54
B	2.0	2.0	2.0	2.0	2.5	2.5	2.5	2.5



WARNING!

When the pump is running:

1. Do not touch the pressure hose
2. Watch out for rotating parts
3. The pump and hoses may be hot

Sunfab reserves the right to make changes in design and dimensions without notice. Printing and typesetting errors reserved.

© Copyright 2023 Sunfab Hydraulics AB. All Rights Reserved.