



SLPD 20/20-64/32 DIN Savtec is equipped with a shut-off valve, this makes it possible to control so that oil only feeds when required.

SLPD 20/20-64/32 DIN Savtec's valve is available as pneumatic remote control. The signal is obtained from a panel switch or automatically from, e.g. the parking brake, pressure sensor or diode gate.

Other advantages:

- Independent direction of rotation
- A cost effective total solution in relation to a conventional installation using two pumps with a splitter gear box
- Smooth operation over the entire speed range
- Long life due to high demands on material selection, such as bearings, seals, etc.
- O-rings on all contact surfaces as well as double shaft seals eliminate oil leakage from the pump and power takeoff
- Extremely low noise emission over entire speed and pressure ranges
- The Savtec valve can also be used as an emergency stop

Versions, main data

Example

SL	PD	-	46/46	W	-	N	-	DL4	-	L35	-	S4	S	-	4
Line	1		2	3		4		5		6		7	8		9

Line

SL	Sunfab In-Line
----	----------------

1. Type

P	Dual flow pump
---	----------------

2. Displacement

20/20	28/28	40/20	35/35	56/28	46/46	53/53	64/32
-------	-------	-------	-------	-------	-------	-------	-------

3. Direction of rotation

W	Independent
---	-------------

4. Shaft seal

V*	FPM
----	-----

*Can withstand higher temperature, e.g. on engine PTO.

5. Mounting flange

DL4	DIN 4-h (ISO 7653D)
-----	---------------------

6. Shaft

L35	DIN 5462 / ISO 14
-----	-------------------

7. Connection cover

S4	Sunfab standard SLPD
----	----------------------

8. Connections

S	Sunfab standard
---	-----------------

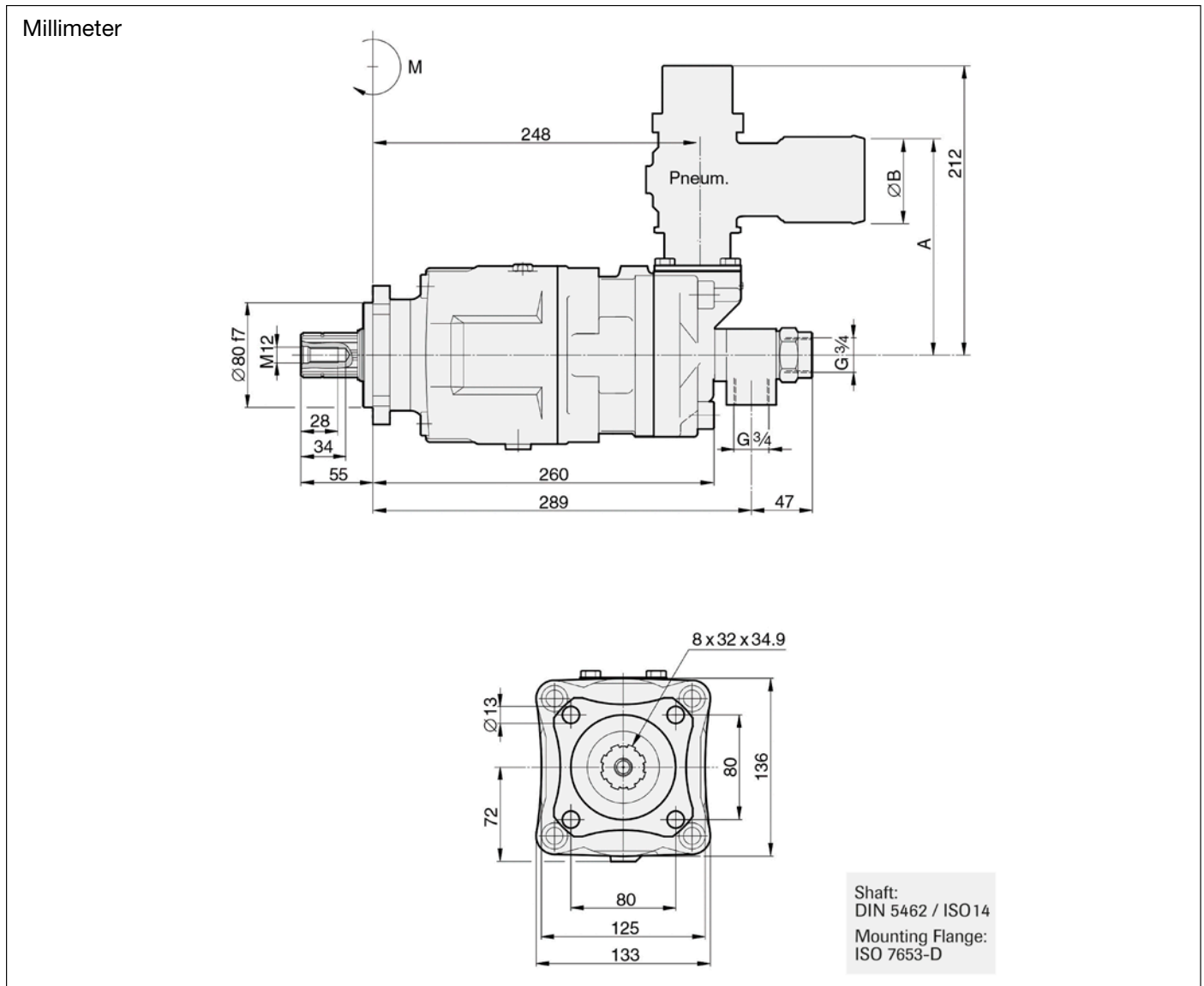
9. Additional

4	Savtec
---	--------

SLPD 20/20-64/32 DIN SAVTEC	20/20	28/28	40/20	35/35	56/28	46/46	53/53	64/32
rpm								
500	2.7+2.7=5.4	3.6+3.6=7.2	5.4+2.7=8.1	4.5+4.5=9.0	7.3+3.6=10.9	6.0+6.0=12.0	6.9+6.9=13.8	8.3+4.2=12.5
1000	5.4+5.4=10.8	7.3+7.3=14.6	10.8+5.4=16.2	9.0+9.0=18.0	14.5+7.3=21.8	12.1+12.1=24.2	13.9+13.9=27.8	16.7+8.3=25.0
1500	8.1+8.1=16.2	10.9+10.9=21.8	16.1+8.1=24.2	13.4+13.4=26.8	21.8+10.9=32.7	18.1+18.1=36.2	20.8+20.8=41.6	25.0+12.5=37.5
Displacement								
cu in/rev	1.24+1.24	1.68+1.68	2.48+1.24	2.07+2.07	3.35+1.68	2.79+2.79	3.21+3.21	3.85+1.92
Max pump speed								
rpm	2200	1800	2200	2200	1800	1800	1600	1600
Max pump speed, relieved								
rpm	3000	2500	3000	3000	2500	2500	2500	2500
Max working pressure								
psi	5075	5075	5075	4785	5075	4785	4785	5075
Weight								
lb	51.8	51.8	51.8	51.8	51.8	51.8	51.8	51.8
Tare-weight torque (M)								
lb-ft	21.7	21.7	21.7	21.7	21.7	21.7	21.7	21.7
Direction of rotation								
Independent								

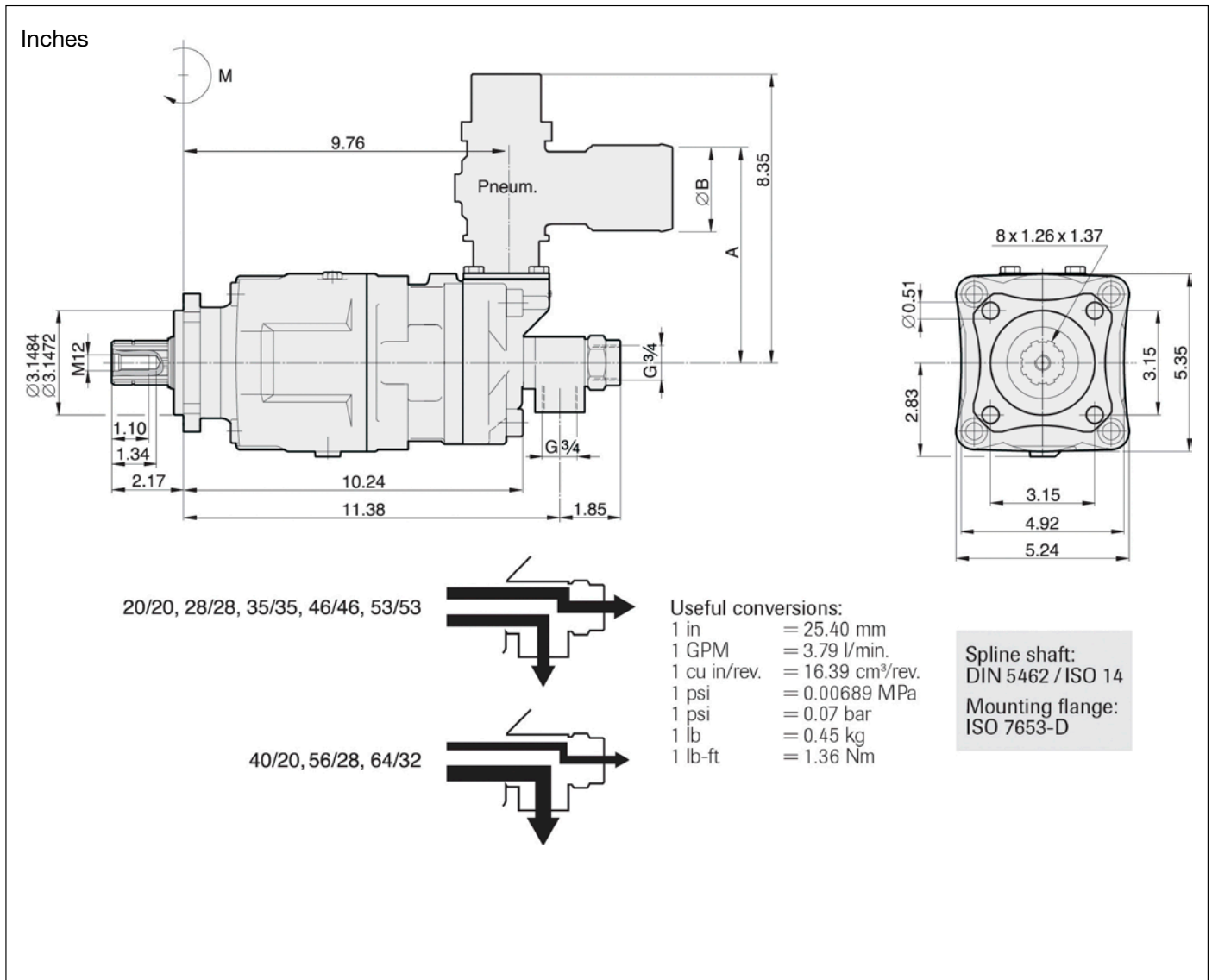
Maximum pressure combined with maximum speed is only allowed during intermittent operation (max. 6 sec/min)

Dimensions SLPD 20/2064/32 DIN SAVTEC



	20/20	28/28	40/20	35/35	56/28	46/46	53/53	64/32
A	133	133	133	133	166	166	166	166
B	50	50	50	50	64	64	64	64

Dimensions SLPD 20/2064/32 DIN SAVTEC



	20/20	28/28	40/20	35/35	56/28	46/46	53/53	64/32
A	5.24	5.24	5.24	5.24	6.54	6.54	6.54	6.54
B	2.0	2.0	2.0	2.0	2.5	2.5	2.5	2.5



WARNING!

When the pump is running:

1. Do not touch the pressure hose
2. Watch out for rotating parts
3. The pump and hoses may be hot

Sunfab reserves the right to make changes in design and dimensions without notice. Printing and typesetting errors reserved.

© Copyright 2023 Sunfab Hydraulics AB. All Rights Reserved.